

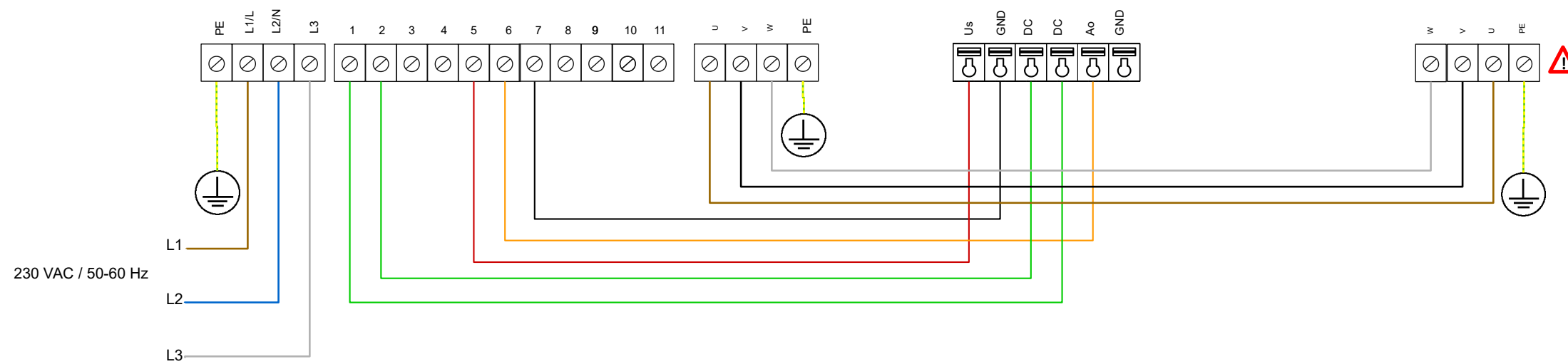
FI-E33460E6-19



SDP-X10K-NA



Three phase 230 VAC motor



Consult the fan manufacturer for the correct wiring.

| Sentera products | | External products | Parameters settings | | | |
|---|--|---------------------------|---------------------|------------|--------|--------------|
| Article codes | Description | Three phase 230 VAC motor | Article codes | Parameters | Values | Descriptions |
| FI-E33460E6-19 SDP-X10K-NA | Variable speed control for 3-phase 230 Volt motors. The maximum motor current is 46 A. The fan speed can be manually set via the remote potentiometer. This potentiometer has a dry contact output to remotely start or stop the motor. The supply voltage is 3-phase 230 Volt. The frequency inverter has an IP66 protection against ingress of water and dirt. | | | | | |