



ST2R1

230V transformer controller, two speeds/time

The ST2R1 transformer speed controllers are based on the principle of voltage control with autotransformers. They are applicable to voltage-controllable motors (230 V, 50/60 Hz) to control the rotational speed (of fans, pumps, etc.). With the built-in clock these transformer controllers can work completely autonomously.

When commissioning, two speeds (High and Low) can be selected out of 80-100-120-150-170-190-230 V. These High and Low speed operation time ranges can be programmed in the clock together with a range when the motor has to stop (day/week program). Thus permitting a perfect e.g. day/night control.

When choosing a controller it is important to know the maximum current intensity consumption on the taps. The indicated maximum current can be taken from each tap.

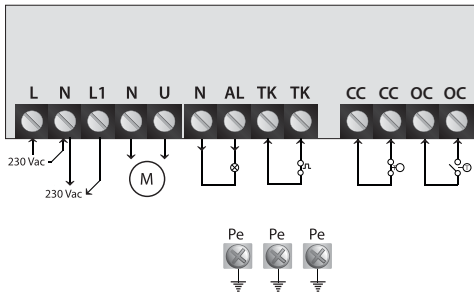
FEATURES

- 230 VAC - 50/60 Hz
- Enclosure: plastic (R-ABS, UL94-V0, RAL 7035) / sheet steel (RAL 7035, polyester powder coating), IP54
- Current fuse
- 230 VAC unregulated output
- Motor protection, by connecting thermal (overheating) contacts of the motor
- Alarm output (230 V/1 A) in the event of motor overheating
- 2 run/stop contacts for thermostat, frost protection, etc.
- Ready mounted cable glands
- Maximal ambient temperature: 35 °C

	I _{max} (A)	Fuse (A)
ST2R1-15L25	1.5	2.5
ST2R1-25L25	2.5	4.0
ST2R1-35L25	3.5	5.0
ST2R1-50L25	5.0	8.0
ST2R1-75L25	7.5	12.5
ST2R1100L25	10.0	(6x32mm) 16.0
ST2R1130L25	13.0	(6x32mm) 20.0

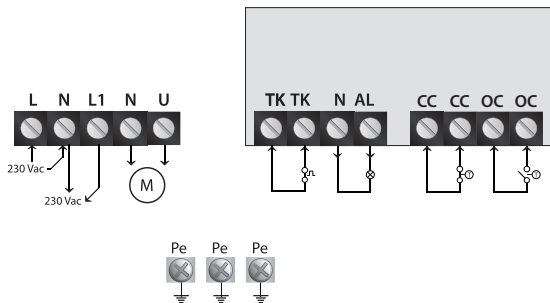
WIRING DIAGRAM

ST2R1-15L25 - ST2R1-75L25



L	main supply 230 VAC – 50/60 Hz
L1	unregulated output 230 VAC
N	neutral
U	regulated output to motor
AL	output to alarm
TK	thermal contact
CC	contact normally closed
OC	contact normally open
Pe	earth

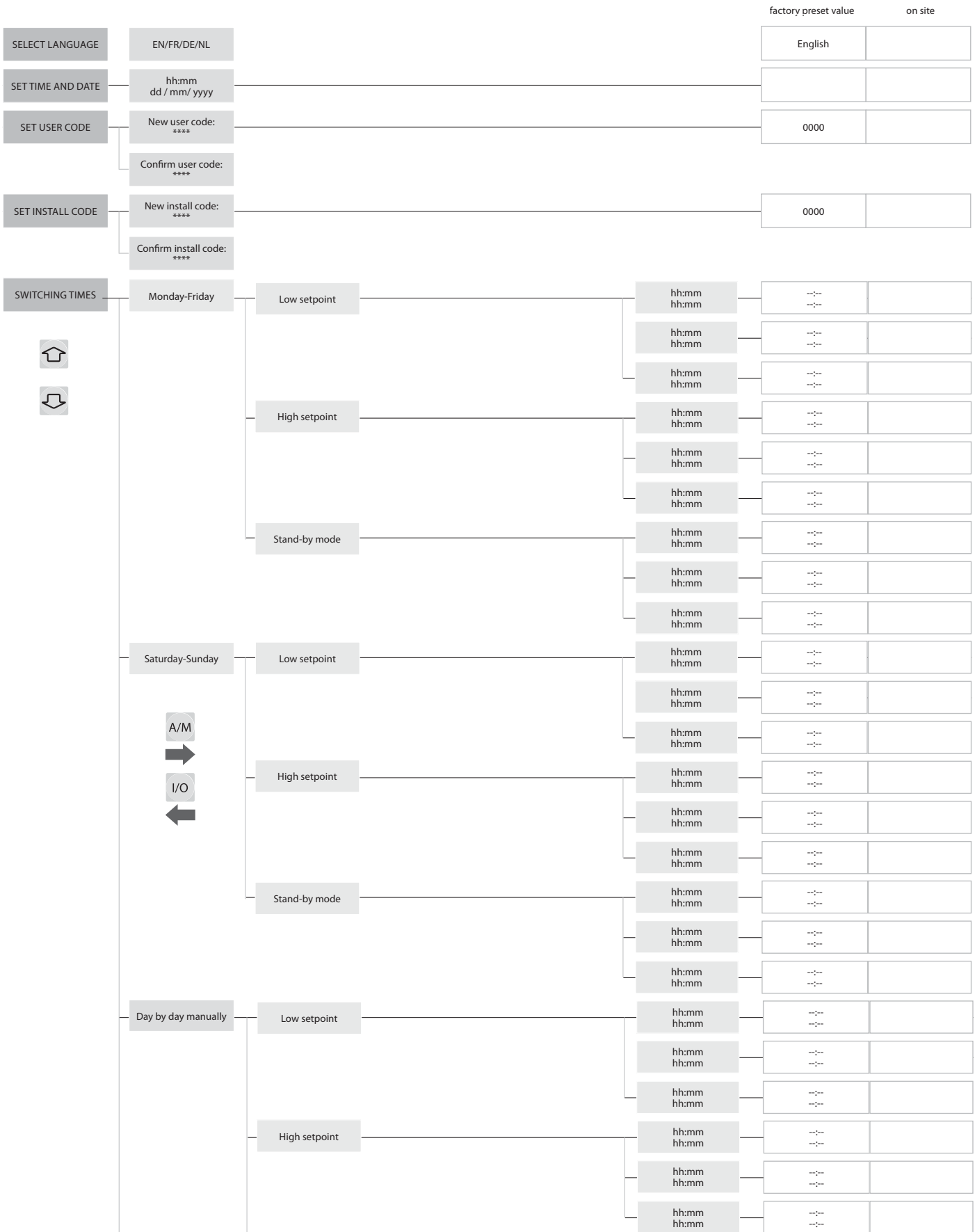
ST2R1100L25 - ST2R1130L25

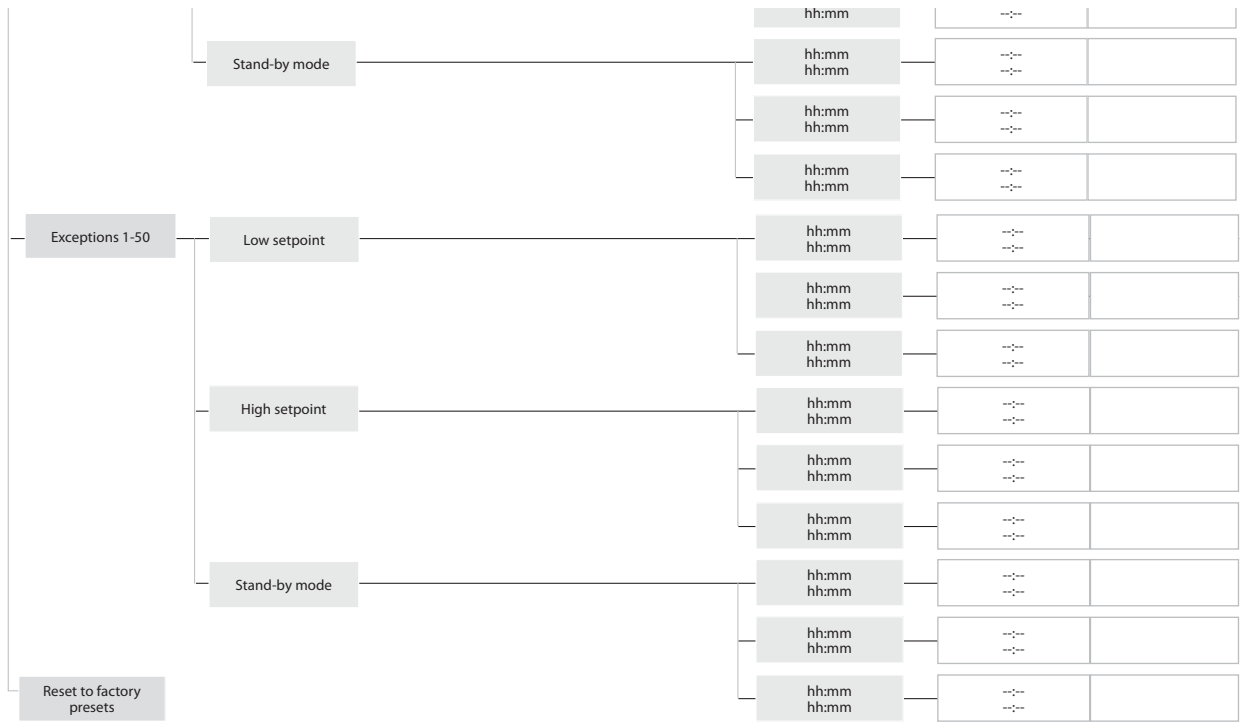


MENU STRUCTURE

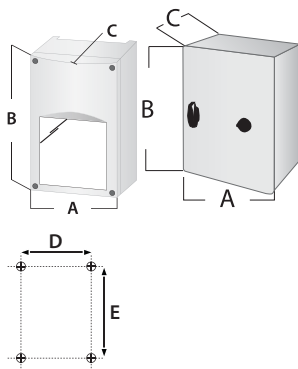
On/Off or ESC/back

Select, push short for Manual mode, push long for Install menu





DIMENSIONS & FIXING



	A	B	C	D	E	net weight	gross weight	enclosure
ST2R1-15L25	170	250	136	155	193	3.29 kg	3.51 kg	plastic
ST2R1-25L25	170	250	136	155	193	3.79 kg	4.01 kg	plastic
ST2R1-35L25	170	250	136	155	193	5.79 kg	6.00 kg	plastic
ST2R1-50L25	170	250	136	155	193	6.49 kg	6.70 kg	plastic
ST2R1-75L25	200	305	140	183	235	9.11 kg	9.40 kg	plastic
ST2R1100L25	300	425	175	255	355	15.36 kg	15.95 kg	steel
ST2R1130L25	300	425	225	255	355	17.95 kg	18.54 kg	steel