

SMT-D | CONTROL SWITCH

Mounting and operating instructions



Table of contents

SAFETY AND PRECAUTIONS	3
PRODUCT DESCRIPTION	4
ARTICLE CODES	4
INTENDED AREA OF USE	4
TECHNICAL DATA	4
STANDARDS	4
WIRING AND CONNECTIONS	5
MOUNTING INSTRUCTIONS IN STEPS	5
TRANSPORT AND STORAGE	7
WARRANTY AND RESTRICTIONS	7
MAINTENANCE	7

SAFETY AND PRECAUTIONS



Read all the information, the datasheet, mounting and operating instructions and study the wiring and connection diagram before working with the product. For personal and equipment safety, and for optimum product performance, make sure you entirely understand the contents before installing, using, or maintaining this product.



For safety and licensing (CE) reasons, unauthorised conversion and /or modifications of the product are inadmissible.



The product should not be exposed to abnormal conditions, such as: extreme temperatures, direct sunlight or vibrations. Long-term exposure to chemical vapours in high concentration can affect the product performance. Make sure the work environment is as dry as possible; avoid condensation.



All installations shall comply with local health and safety regulations and local electrical standards and approved codes. This product can only be installed by an engineer or a technician who has expert knowledge of the product and safety precautions.



Avoid contacts with energised electrical parts; always treat the product as if it is live. Always disconnect the power supply before connecting, servicing or repairing the product.



Always verify that you apply appropriate power supply to the product and use appropriate wire size and characteristics. Make sure that all the screws and nuts are well tightened and fuses (if any) are fitted well.



Recycling of equipment and packaging should be taken into consideration and these should be disposed of in accordance with local and national legislation / regulations.



In case there are any questions that are not answered, please contact your technical support or consult a professional.

PRODUCT DESCRIPTION

The SMT-D control switch uses 10 VDC supply voltage and converts it into different step voltages to obtain a minimum, medium and maximum. Two of the output voltages can be adjusted according to the environmental requirements (switch positions 1 and 2).

ARTICLE CODES

	SMT-D-3P-AL	SMT-D-4P-AL
Supply	10 VDC	10 VDC
Position 0	-	OFF
Position 1	1–10 VDC	1–10 VDC
Position 2	1–10 VDC	1–10 VDC
Position 3	10 VDC	10 VDC

INTENDED AREA OF USE

- Speed control of EC fans in ventilation systems
- Voltage control where manual adjustment of 0–10 VDC signals are needed

TECHNICAL DATA

- Supply voltage: 10 VDC
- Max. load: 86 K Ω
- Min. load: 54 K Ω
- Enclosure:
 - ▶ external: ASA, white-ivory (RAL9010), IP54 (according to EN 60529)
 - ▶ internal: polyamide, white-ivory (RAL9010), IP44 (according to EN 60529)
- Operating ambient conditions:
 - ▶ temperature: -20–40 °C
 - ▶ rel. humidity: < 100 % rH (non-condensing)
- Storage temperature: -25–50 °C

STANDARDS

- Low Voltage Directive 2006/95/EC
- WEEE Directive 2012/19/EC



WIRING AND CONNECTIONS

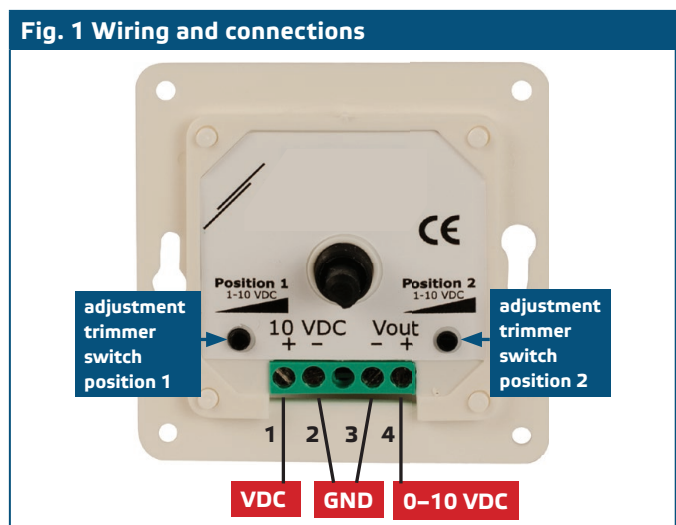
1	Supply voltage (positive 10 VDC)
2	Supply voltage GND
3	Output GND
4	Control output voltage in steps
Connections	Cable cross section: max. 2,5 mm ²

MOUNTING INSTRUCTIONS IN STEPS

Before you start mounting the SMT-D switch, read carefully “*Safety and Precautions*”. Then proceed with the following steps:

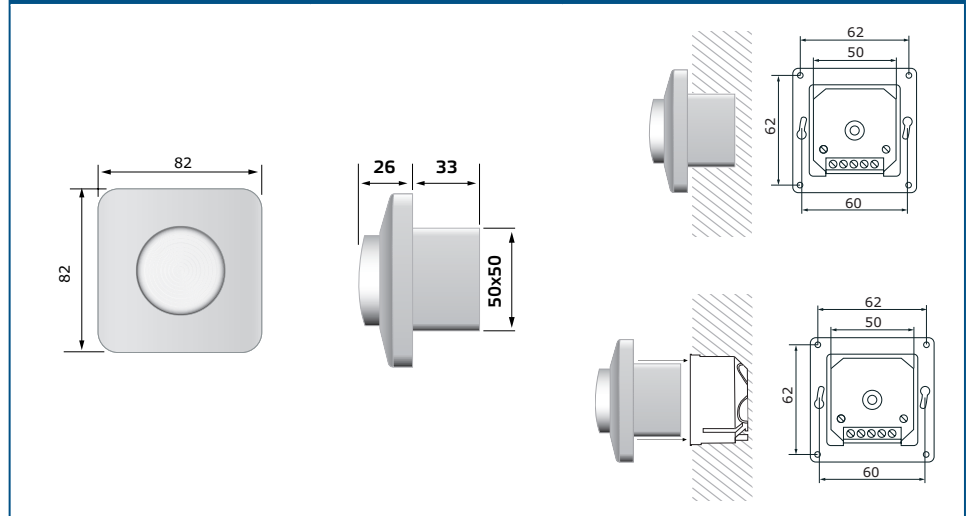
For inset mounting

1. Remove the knob by turning it to the right, beyond the stop end and then pull. Open the cover and unscrew the loose nut.
2. Do the wiring according to the wiring diagram (see **Fig. 1**) using the information from section “*Wiring and connections*”.



3. Mount the internal enclosure to the wall. Mind the unit mounting dimensions (see **Fig. 2** *Mounting dimensions - inset mounting*).
4. Use the internal trimmers to adjust position 1 and position 2 voltage settings.
5. Mount the cover with the nut.
6. Push the knob in place at off position.

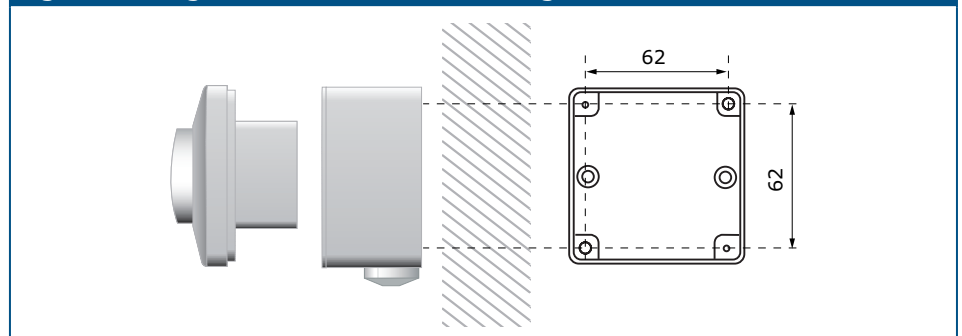
Fig. 2 Mounting dimensions - inset mounting



For surface mounting

1. Mount the external enclosure to the wall with the help of the delivered dowels and screws. Mind the unit mounting dimensions (see **Fig. 3 Mounting dimensions - surface mounting**).
2. Remove the knob by turning it to the right, beyond the stop end and then pull. Open the cover and unscrew the loose nut.
3. Do the wiring according to the wiring diagram (see **Fig. 1**) using the information from section **"Wiring and connections"**.
4. Mount the internal enclosure into the external enclosure.
5. Use the internal trimmers to adjust position 1 and position 2 voltage settings.
6. Mount the cover with the nut.
7. Push the knob in place at off position.

Fig. 3 Mounting dimensions - surface mounting



NOTE

You can drill a hole (5 mm) at the bottom of the external enclosure to drain condensed water.

TRANSPORT AND STORAGE

Avoid shocks and extreme conditions; stock in original packing.

WARRANTY AND RESTRICTIONS

Two years from the delivery date against defects in manufacturing. Any modifications or alterations to the product after the date of publication relieve the manufacturer of any responsibilities. The manufacturer bears no responsibility for any misprints or mistakes in this data.

MAINTENANCE

In normal conditions this product is maintenance-free. If soiled, clean with a dry or damp cloth. In case of heavy pollution, clean with a non-aggressive product. In these circumstances the unit should be disconnected from the supply. Pay attention that no fluids enter the unit. Only reconnect it to the supply when it is completely dry.