

# SC2-1

SINGLE PHASE 230 VAC TWO-SPEED  
TRANSFORMER CONTROLLER  
POWER RANGE: 10–13 A

## Mounting and operating instructions



# Table of contents

<b>SAFETY AND PRECAUTIONS</b>	<b>3</b>
<b>PRODUCT DESCRIPTION</b>	<b>4</b>
<b>ARTICLE CODES</b>	<b>4</b>
<b>INTENDED AREA OF USE</b>	<b>4</b>
<b>TECHNICAL DATA</b>	<b>4</b>
<b>STANDARDS</b>	<b>4</b>
<b>OPERATIONAL DIAGRAM</b>	<b>5</b>
<b>WIRING AND CONNECTIONS</b>	<b>5</b>
<b>MOUNTING INSTRUCTIONS IN STEPS</b>	<b>5</b>
<b>VERIFICATION OF INSTALLATION</b>	<b>7</b>
<b>TRANSPORT AND STORAGE</b>	<b>8</b>
<b>WARRANTY AND RESTRICTIONS</b>	<b>8</b>
<b>MAINTENANCE</b>	<b>8</b>

## SAFETY AND PRECAUTIONS



Read all the information, the datasheet, mounting and operating instructions and study the wiring and connection diagram before working with the product. For personal and equipment safety, and for optimum product performance, make sure you entirely understand the contents before installing, using, or maintaining this product.



For safety and licensing (CE) reasons, unauthorised conversion and /or modifications of the product are inadmissible.



The product should not be exposed to abnormal conditions, such as: extreme temperatures, direct sunlight or vibrations. Long-term exposure to chemical vapours in high concentration can affect the product performance. Make sure the work environment is as dry as possible; avoid condensation.



All installations shall comply with local health and safety regulations and local electrical standards and approved codes. This product can only be installed by an engineer or a technician who has expert knowledge of the product and safety precautions.



Avoid contacts with energised electrical parts. Always disconnect the power supply before connecting, servicing or repairing the product.



Always verify that you apply appropriate power supply to the product and use appropriate wire size and characteristics. Make sure that all the screws and nuts are well tightened and fuses (if any) are fitted well.



Recycling of equipment and packaging should be taken into consideration and these should be disposed of in accordance with local and national legislation / regulations.



In case there are any questions that are not answered, please contact our technical support or consult a professional.

## PRODUCT DESCRIPTION

The SC2-1 series of transformer fan speed controllers regulate the rotational speed of single-phase voltage controllable motors by varying the output voltage. They are equipped with auto-transformers and control the speed manually in five steps. The SC2-1 also feature contacts for remote start / stop. The controller makes it possible to select two optimal motor speeds and to switch these by a contact (e.g. day / night control). In this way energy savings can be realised.

## ARTICLE CODES

Article code	Rated max. current [A]	Fuse rating [A]
SC2-1100L25	10	(6*32 mm) T-16 A-H
SC2-1130L25	13	(6*32 mm) T-20 A-H

## INTENDED AREA OF USE

- Fan speed control of voltage controllable motors (pumps and fans) in ventilation systems
- For indoor use only

## TECHNICAL DATA

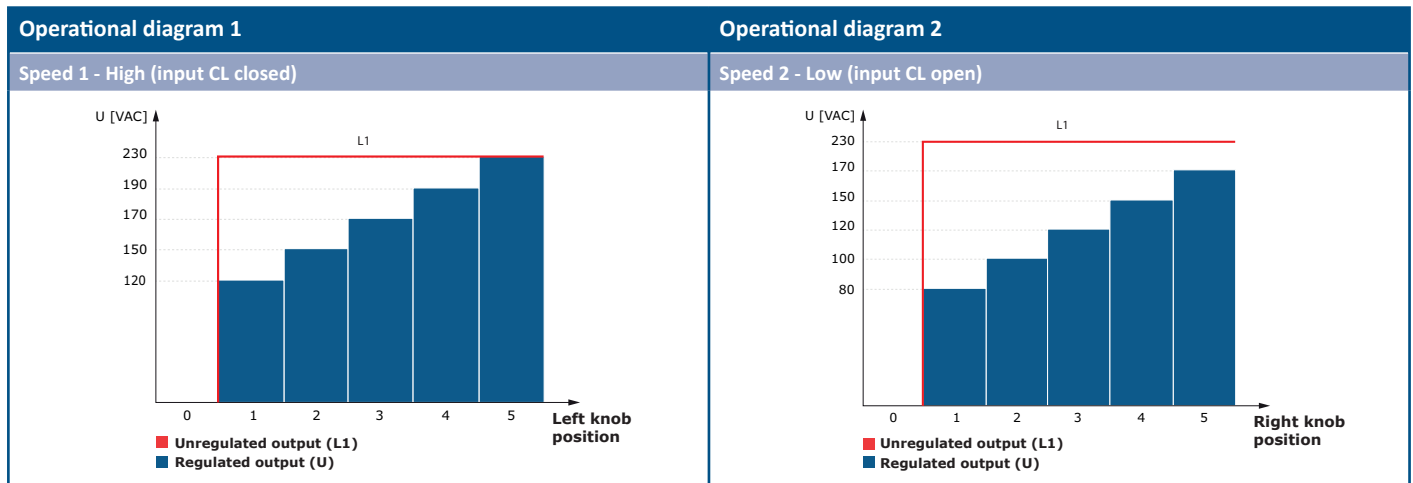
- Supply voltage: 230 VAC / 50–60 Hz
- Maximum motor current (I<sub>max</sub>): depends on the version (see article codes)
- Unregulated output: 230 VAC
- Each speed adjustable by 5-step rotary switches (knobs) plus off-position
- Normally closed contact for external clock (high / low switching)
- LED status indication
- Two speeds selectable by external contact (e.g. clock)
- Enclosure: sheet steel (RAL 7035, polyester powder coating)
- Protection standard: IP54 (according to EN 60529)
- Operating ambient conditions:
  - ▶ Temperature: -20–35 °C
  - ▶ Rel. humidity: 5–95 % rH (non-condensing)

## STANDARDS

- Low Voltage Directive 2014/35/EC
- EMC Directive 2014/30/EC: EN 61326
- WEEE Directive 2012/19/EC
- RoHs Directive 2011/65/EC



## OPERATIONAL DIAGRAM



## WIRING AND CONNECTIONS

Connections	
L	Power supply, line (230 VAC / 50–60 Hz)
N	Neutral
L1	Unregulated output, line
N	Regulated output to motor, neutral
M or U	Regulated output to motor, line
CL	Input - Normally closed contact for external clock (for high / low switching)
CL	
Pe	Earth terminals

### ATTENTION

*Make sure you use cables with an appropriate diameter.*

## MOUNTING INSTRUCTIONS IN STEPS

Before you start mounting the SC2-1, read carefully **“Safety and Precautions”**. Choose a smooth solid surface for installation (a wall, panel, etc.).

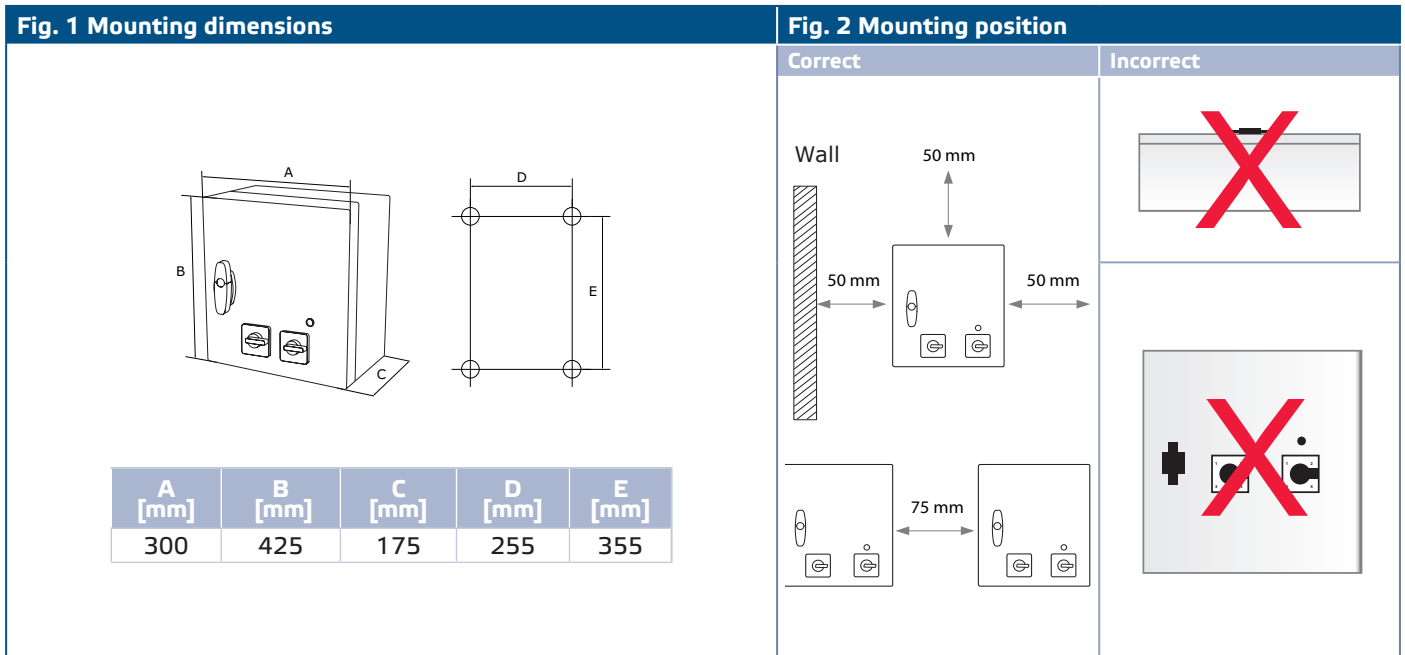
### Follow these steps:

1. Open the door of the controller. Mind the wires that connect the rotary switch with the autotransformer.
2. Fix the unit onto the wall or panel using the provided screws and dowels. Mind the correct mounting position and unit mounting dimensions. (See **Fig. 1** *Mounting dimensions* and **Fig. 2** *Mounting position*.)

3. Pay attention to the following instructions in order to minimize the operating temperature:

- 3.1 Respect the distances both between the wall / ceiling and the device and between two devices as shown in **Fig. 2**. In order to ensure sufficient ventilation of the controller, clearance on every side has to be maintained.
- 3.2 When installing the device, please keep in mind that the higher you install it, the warmer the device will get. For example, in a technical room the correct installation height can be of great importance.
- 3.3 If maximum ambient temperature cannot be adhered to, please provide extra forced ventilation / cooling.

**Not respecting the abovelisted rules can reduce service life and relieves the manufacturer of any responsibilities.**

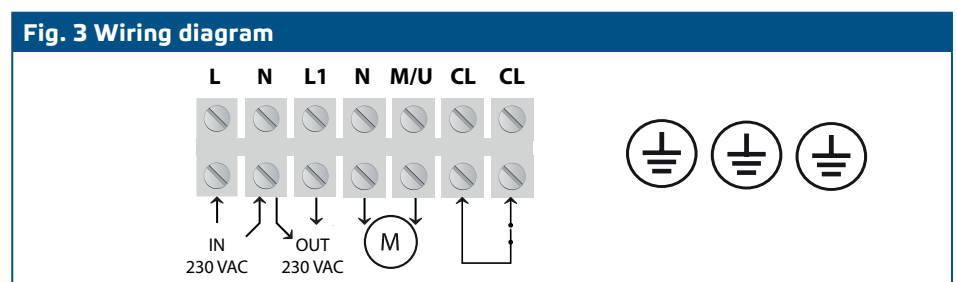


4. Insert the cables through the cable glands and do the wiring according to the wiring diagram (see **Fig. 3**) while adhering to the information from section **“Wiring and connections”** above.

- 4.1 Connect the power supply line (terminals L, N and Pe);
- 4.2 Connect the motor(s) (terminals M/U, N and Pe);
- 4.3 If applicable, connect the unregulated output (L1 and N). It can be used to supply a 230 VAC valve, lamp, etc. when the knob is not at ‘0’ position (see **Table 1** below).
- 4.4 Connect the CL normally closed contact for external clock (for high / low switching). As standard, there is a bridge between the CL terminals.

**ATTENTION**

*A safety isolator / disconnect switch should be installed on the mains electricity side of all motor drives.*



## ATTENTION

*Make sure the connections are correct before you power the unit.*

5. Close the cover and secure it with the screws.
6. Turn the knobs at '0'.
7. Tighten the cable glands.
8. Switch on the mains supply.
9. Make sure the transformer controller can operate normally (consider an isolating switch).
10. Turn the knobs into the relevant positions to adjust the output voltage.

### Optional settings

The standard configuration of the output voltages is as indicated in **Table 1** below.

Table 1 Voltage							
Knob positions	0	-	1	2	3	4	5
<b>Regulated output [VAC]</b>							
Speed 1 - High (left knob)*	0	-	120	150	170	190	230
Speed 2 - Low (right knob)*	0	-	80	100	120	150	170
<b>Unregulated output [VAC]</b>							
L1	0	230	230	230	230	230	230

*\*If input CL is closed, the high speed selection is activated. If input CL is open, the low speed selection is activated.*

## VERIFICATION OF INSTALLATION

## ATTENTION

*Use only tools and equipment with non-conducting handles when working on electrical devices.*

After connecting the unit to the mains supply, the green LED on its cover should light up to indicate that the controller is supplied.

### Safe operation depends on proper installation. Before start up, ensure the following:

- The mains supply is connected correctly.
- Protection is provided against electrical shock.
- The cables are the appropriate size and fuse-protected.
- There is sufficient air flow around the unit.

## ATTENTION

*The unit is supplied with electrical energy at voltages high enough to inflict personal injury or threat to health. Take the relevant safety measures.*

## ATTENTION

*Disconnect and confirm that there is no live current flowing to the unit before servicing.*

**ATTENTION**

*Avoid exposing the controller to direct sunlight!*

## TRANSPORT AND STORAGE

---

Avoid shocks and extreme conditions; stock in original packing.

## WARRANTY AND RESTRICTIONS

---

Two years from the delivery date against defects in manufacturing. Any modifications or alterations to the product after the date of publication relieve the manufacturer of any responsibilities. The manufacturer bears no responsibility for any misprints or mistakes in this data.

## MAINTENANCE

---

In normal conditions this product is maintenance-free. If soiled, clean with a dry or damp cloth. In case of heavy pollution, clean with a non-aggressive product. In these circumstances the unit should be disconnected from the supply. Pay attention that no fluids enter the unit. Only reconnect it to the supply when it is completely dry.