

RCMFH-3 | INTELLIGENT MULTIFUNCTIONAL CO₂ ROOM SENSOR

Mounting and operating instructions



Table of contents

SAFETY AND PRECAUTIONS	3
PRODUCT DESCRIPTION	4
ARTICLE CODE	4
INTENDED AREA OF USE	4
TECHNICAL DATA	4
STANDARDS	4
OPERATIONAL DIAGRAMS	5
WIRING AND CONNECTIONS	6
MOUNTING INSTRUCTIONS IN STEPS	7
OPERATING INSTRUCTIONS	9
VERIFICATION OF INSTALLATION	10
TRANSPORT AND STORAGE	10
WARRANTY AND RESTRICTIONS	10
MAINTENANCE	10

SAFETY AND PRECAUTIONS



Read all the information, the datasheet, Modbus Register map, mounting and operating instructions and study the wiring and connection diagram before using the product. For personal and equipment safety, and for optimum product performance, make sure you entirely understand the content before installing, using or maintaining this product.



Unauthorised conversion and/or modification of the product is not permitted for safety and licensing (CE) reasons.



The product should not be exposed to abnormal conditions, such as extreme temperatures, direct sunlight or vibrations. Long-term exposure to chemical vapours in high concentration can affect the product performance. Make sure the work environment is as dry as possible and avoid condensation.



All installations shall comply with local health and safety regulations, local electrical standards and approved codes. This product can only be installed by an engineer or a technician who has expert knowledge of the product and of the safety precautions.



Avoid contact with energised electrical parts. Always disconnect the power supply before connecting, servicing or repairing the product.



Always ensure that the product is powered properly and that the wire size and characteristics are appropriate. Make sure that all the screws and nuts are well tightened and fuses (if any) are fitted well.



Recycling of equipment and packaging should be taken into consideration and these should be disposed of in accordance with local and national legislation / regulations.



If you have any further questions, please contact your technical support or consult a professional.

PRODUCT DESCRIPTION

The RCMFH-3 are intelligent multifunctional room sensors featuring adjustable CO₂, temperature and relative humidity ranges. The used algorithm controls a single analogue / modulating output based on the measured CO₂, T and rH values, which can be used to directly control an EC fan, an AC fan speed controller or an actuator powered damper. They have a 24 VDC power supply and all parameters are accessible via Modbus RTU.

ARTICLE CODE

Article code	Supply	I _{max}
RCMFH-3	24 VDC	40 mA


INTENDED AREA OF USE

- Demand controlled ventilation based on temperature, relative humidity and CO₂
- Suited for residential and commercial buildings
- For indoor use only

TECHNICAL DATA

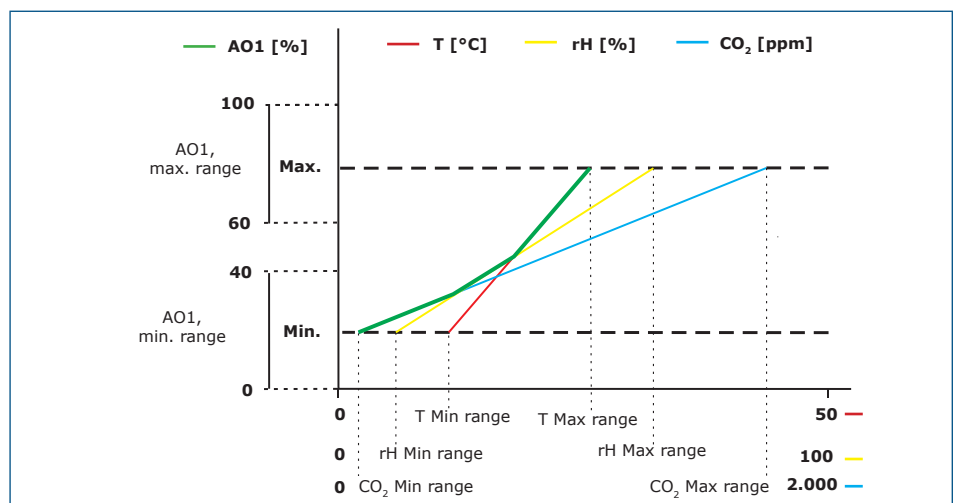
- Spring contact terminal block or RJ45 connection
- Analogue / modulating output type:
 - ▶ 0–10 VDC mode: min. load resistance 50 kΩ (R_L ≥ 50 kΩ)
 - ▶ 0–20 mA: max. load resistance 500 Ω (R_L ≤ 500 Ω)
 - ▶ PWM (open-collector type): PWM Frequency: 1 kHz, min. load resistance 50 kΩ (R_L ≥ 50 kΩ); PWM voltage level 3,3 VDC or 12 VDC
- Ambient light sensor with adjustable 'active' and 'standby' level
- 3 LEDs for status indication with adjustable light intensity
- Accuracy: ±0,5 °C (5–50 °C); ±6 % rH (20–80 % rH); ±(50 ppm + 3% of the reading) CO₂ within the range 400–2.000 ppm, ±(40 ppm + 5% of the reading) CO₂ within the range 2.001–5.000 ppm
- Enclosure:
 - ▶ rear plate: plastic ABS, black (RAL 9004)
 - ▶ front cover: ASA, ivory (RAL 9010)
- Protection standard: IP30 (according to EN 60529)
- Typical range of use:
 - ▶ temperature: 0–50 °C
 - ▶ rel. humidity: 0–95 % rH, (non-condensing)
 - ▶ CO₂: 400–2.000 ppm
- Storage temperature: -10–60 °C

STANDARDS

- EMC directive 2014/30/EU 
 - ▶ EN 60730-1:2011 Automatic electrical controls for household and similar use - Part 1: General requirements
 - ▶ EN 61000-6-1:2007 Electromagnetic compatibility (EMC) - Part 6-1: Generic standards - Immunity for residential, commercial and light industrial environments
 - ▶ EN 61000-6-3:2007 Electromagnetic compatibility (EMC) - Part 6-3: Generic standards - Emission standard for residential, commercial and light-industrial environments Amendments A1:2011 and AC:2012 to EN 61000-6-3
 - ▶ EN 61326-1:2013 Electrical equipment for measurement, control and laboratory

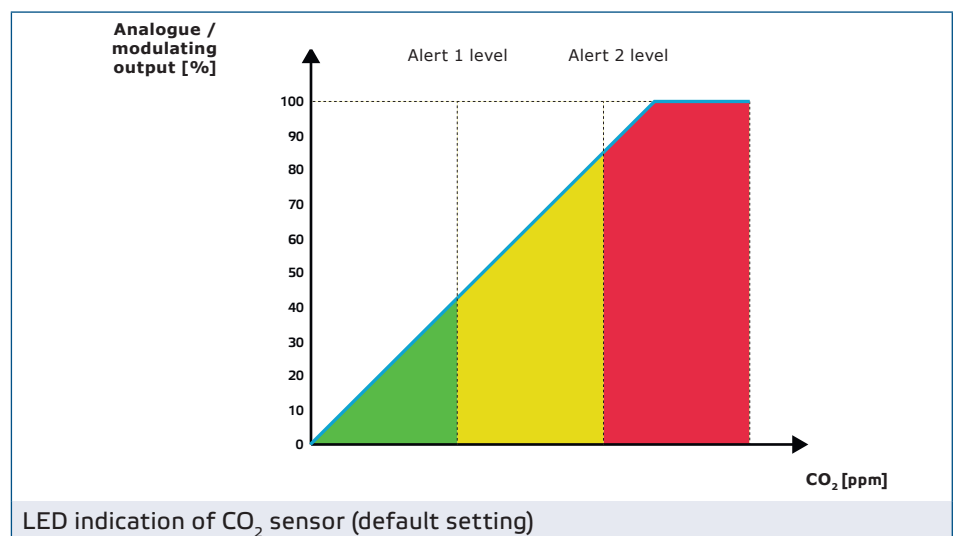
- use - EMC requirements - Part 1: General requirements
- ▶ EN 61326-2-3:2013 Electrical equipment for measurement, control and laboratory use - EMC requirements - Part 2-3: Particular requirements Test configuration, operational conditions and performance criteria for sensors with integrated or remote signal conditioning
- Low Voltage Directive 2014/35/EU
 - ▶ EN 60529:1991 Degrees of protection provided by enclosures (IP Code) Amendment AC:1993 to EN 60529
 - ▶ EN 60730-1:2011 Automatic electrical controls for household and similar use - Part 1: General requirements
- WEEE 2012/19/EC
- RoHs Directive 2011/65/EC
 - ▶ EN IEC 63000:2018 Technical documentation for the assessment of electrical and electronic products with respect to the restriction of hazardous substances

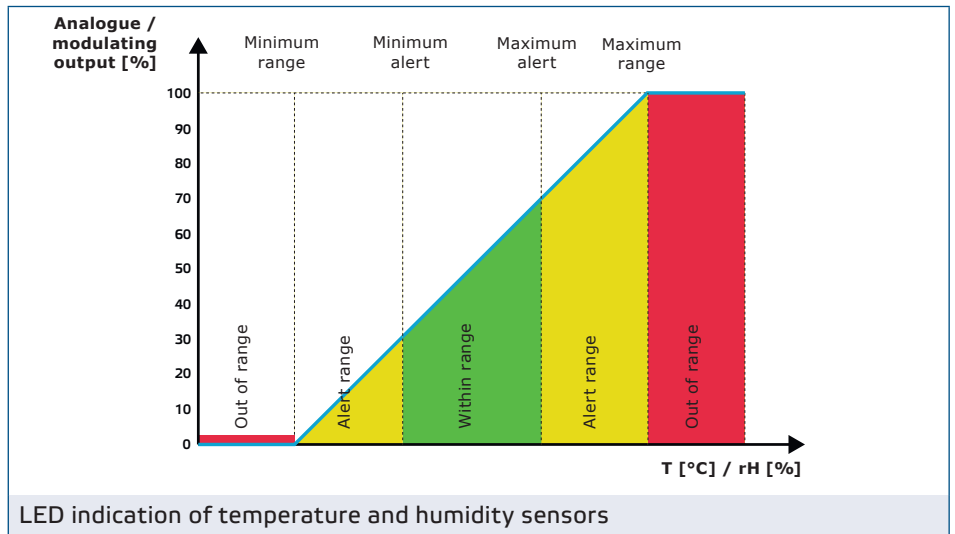
OPERATIONAL DIAGRAMS



ATTENTION

The output changes automatically depending on the highest of the T, rH or CO₂ values, i.e. the highest of the three output values controls the output. See the green line in the operational diagram above. One or multiple sensors can be deactivated. E.g. it is possible to control the output based on the measured CO₂ value only.





WIRING AND CONNECTIONS

RJ45 socket (Power over Modbus)		
Pin 1	24 VDC	Supply voltage
Pin 2		
Pin 3	A	Modbus RTU communication, signal A
Pin 4		
Pin 5	/B	Modbus RTU communication, signal /B
Pin 6		
Pin 7	GND	Ground, supply voltage
Pin 8		

Terminal Block 1		
VIN		Supply voltage 24 VDC
GND		Supply voltage, ground
A		Modbus RTU communication, signal A
/B		Modbus RTU communication, signal /B

Terminal Block 2		
AO1		Analogue / modulating output (0–10 VDC / 0–20 mA / PWM)
GND		Ground AO1

ATTENTION

The unit needs to be supplied via the RJ45 connector or via the connection terminals. Do not connect the device via the RJ45 connector and the terminal block simultaneously.

MOUNTING INSTRUCTIONS IN STEPS

Before you start mounting the unit, read carefully **“Safety and Precautions”**. Choose a smooth surface for installation (a wall, panel, etc.).

ATTENTION

Mount the sensor in a well-ventilated area where it receives adequate airflow for proper operation and hide it from direct sunlight. Make sure it can be easily accessed for service.

Follow these steps:

1. Release the snap-fits on both sides of the front white cover using a flat screwdriver and remove the cover (see **Fig. 1 Snap-fits release**).
2. Insert the cables through the hole in the back (see **Fig. 2 Mounting dimensions**.)
3. Position the room sensor at least 1,5 metres above the ground using suitable fastening materials (not included). Mind the correct mounting position and unit dimensions. See **Fig. 2** and **Fig. 3**.

Fig. 1 Snap-fits release

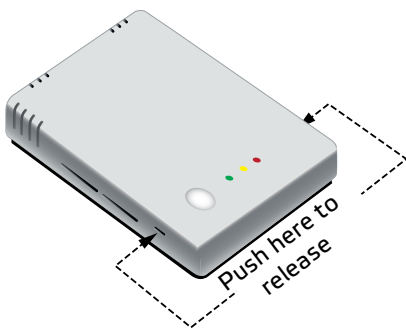
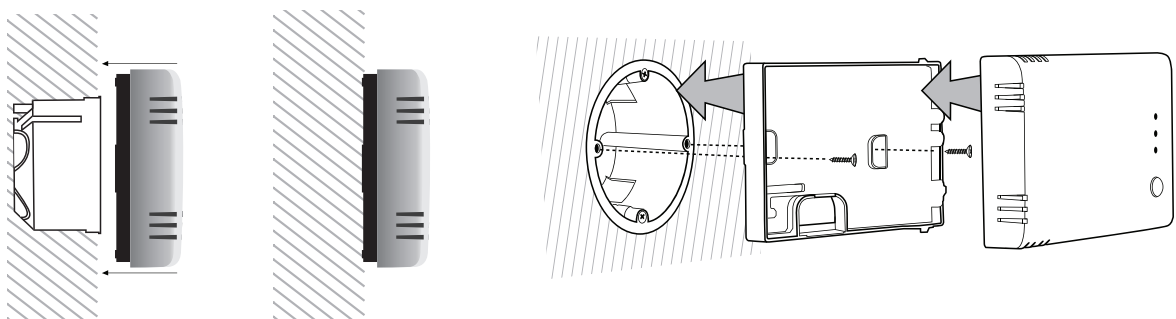
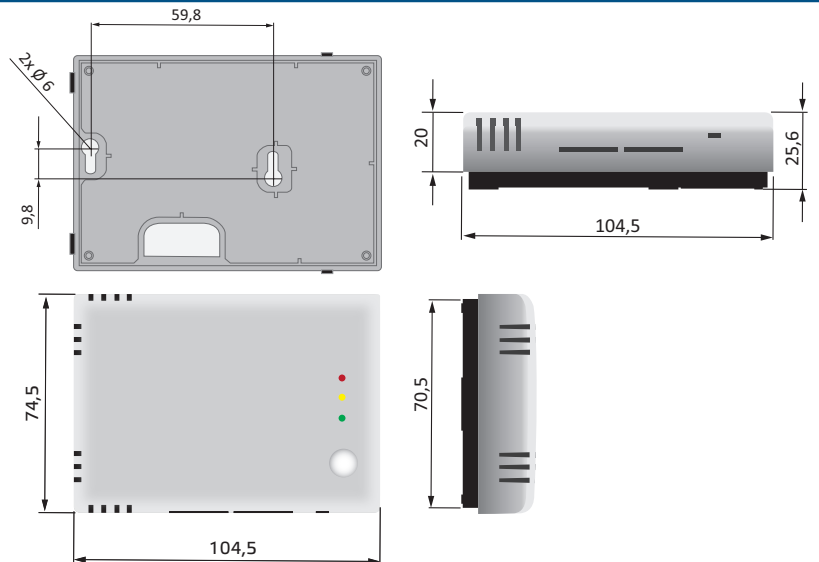
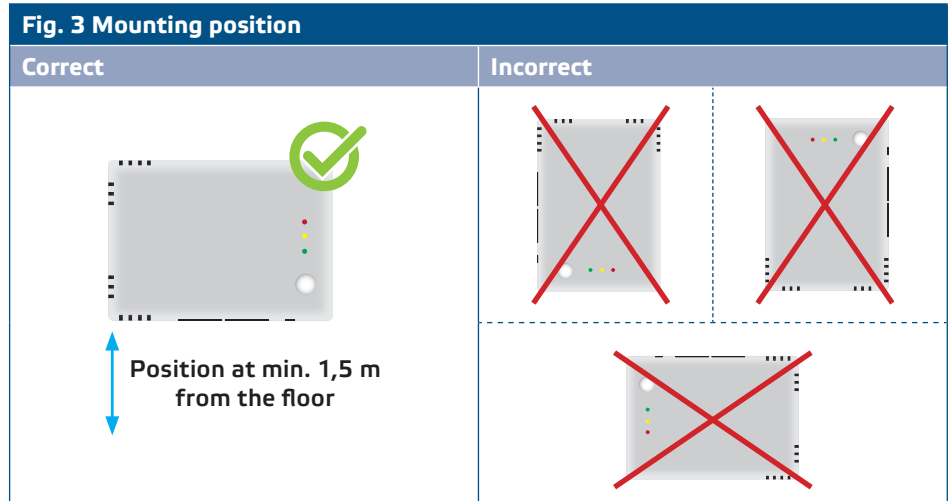
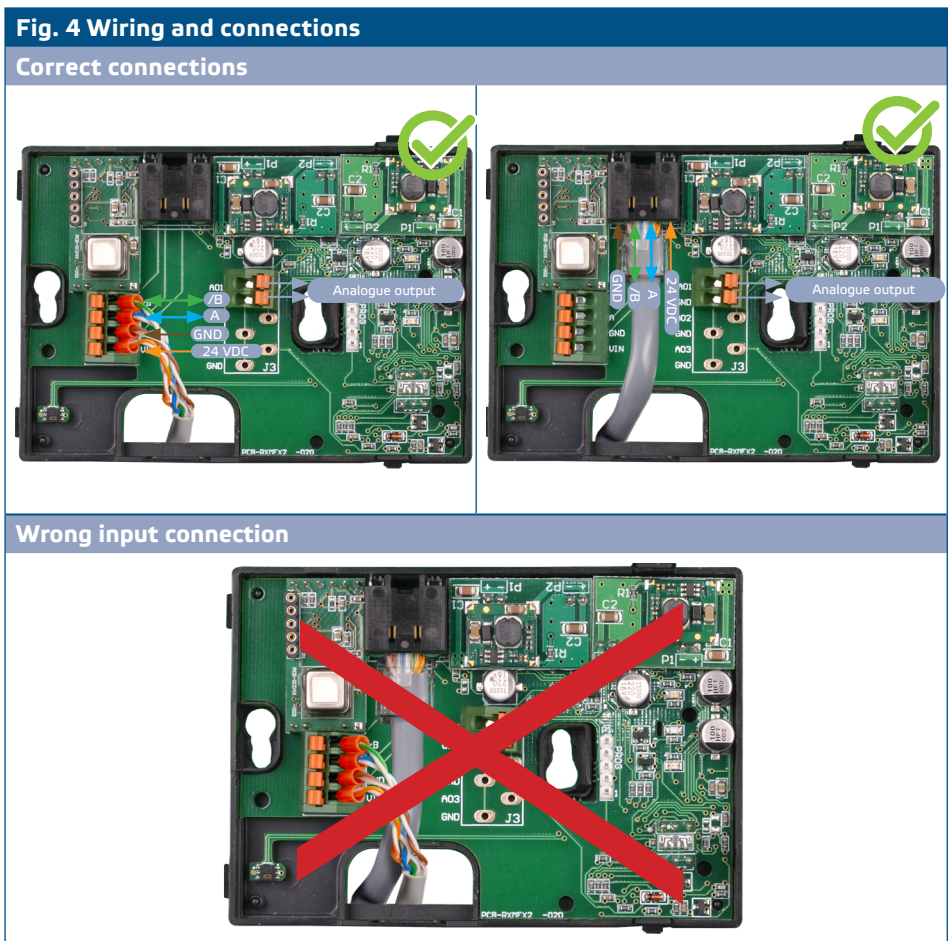


Fig. 2 Mounting dimensions





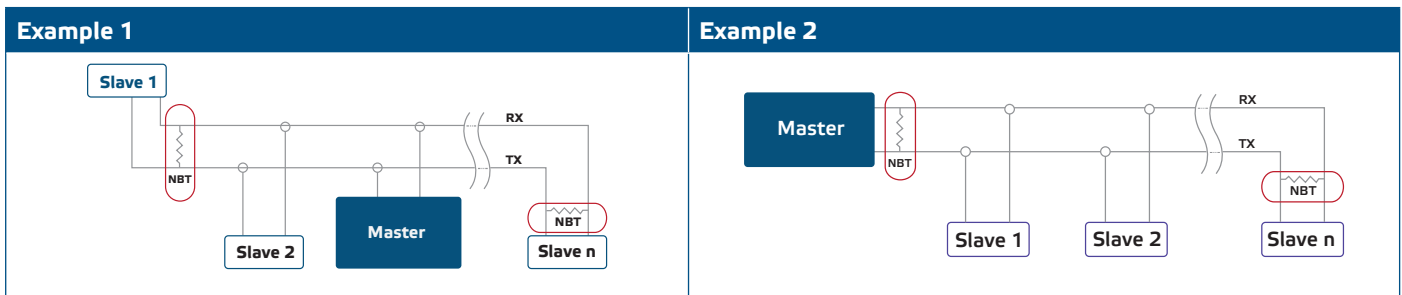
4. Do the wiring according to the wiring diagram (see Fig. 4).



5. Snap the cover back in place.
6. Switch on the mains supply.
7. Customise the factory settings to the desired ones via the 3SModbus software or SenteraWeb. For the default factory setting see the *Modbus register map* of the product.

Optional settings

To assure correct communication, the NBT needs to be activated in only two devices on the Modbus RTU network. If necessary, enable the NBT resistor via 3SModbus or Sensistant (*Holding register 9*).



NOTE

Two bus terminators (NBTs) must be activated on a Modbus RTU network.

NOTE

For the complete Modbus register data, see the Modbus Register Map of the product. This is a separate document linked to the article code on the website containing the list of registers. Products with earlier firmware versions may not be compatible with this list.

OPERATING INSTRUCTIONS

Calibration procedure:

There is no need to calibrate temperature or relative humidity. Each sensor element undergoes testing and calibration in our factory.

The CO₂ sensor element is self-calibrating to compensate sensor drift. By default, the ABC logic self-calibrating algorithm is enabled. This algorithm is designed to be used in applications where CO₂ concentrations will drop to outside ambient conditions (400 ppm) at least once a week, typically during unoccupied periods. It is advisable to disable the self-calibrating algorithm in situations where the CO₂ level will not drop to 400 ppm within the mentioned period.

Firmware update

Through a firmware update, new features and bug fixes are made available. Your device can be updated if the most recent firmware is not already installed. The simplest way to update the firmware is through SenteraWeb. The 3SM boot application, which is a part of the Sentera 3SMcenter software suite, can be used to update the firmware if you do not have access to an internet gateway.

NOTE

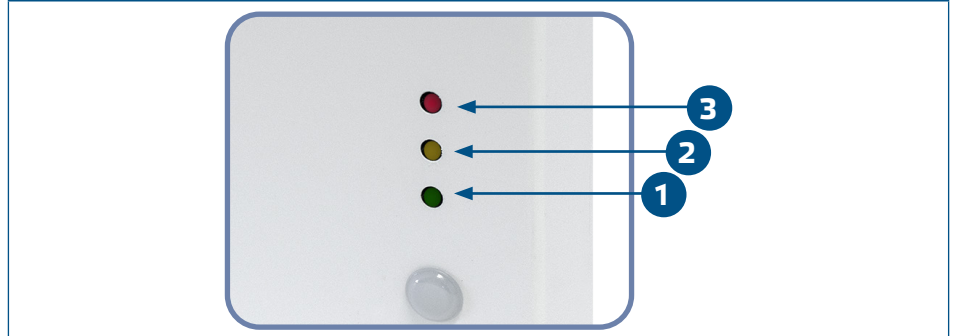
Make sure the power supply does not get interrupted during the "bootload" procedure, otherwise you risk losing unsaved data.

LED indications

1. When the green LED is on, the measured temperature or relative humidity value lies within the alert range's minimum and maximum values or the CO₂ level is below Alert 1 level. (Fig. 5 - 1).
2. When the yellow LED is on, the measured temperature or relative humidity value lies in the alert range or the CO₂ value is higher than or equal to Alert 1 level. The yellow LED blinks when Modbus communication is terminated and Holding register 8 is activated (Modbus timeout > 0 seconds) (Fig. 5 - 2). The LED stops blinking once the Modbus communication has been restored. For Modbus safety timeout, alert yellow LED indication takes precedence over blinking yellow LED.
3. When the red LED is on, the measured temperature or relative humidity value is lower than or equal to the minimum measurement range value or higher than or equal to the maximum measurement range value or when the measured CO₂ level is greater than or equal to Alert 2 level (Fig. 5 - 3). Blinking red LED indicates loss of communication with a sensor (Fig. 5 - 3).

**NOTE**

When the sensor is in bootloader mode, the green and yellow LEDs flash alternately. During the firmware download, the red LED is flashing additionally.

Fig. 5 LED indications**NOTE**

By default, the LED indication refers to CO₂ measurements. This can be changed to temperature or relative humidity values via Modbus Holding Register 79 (see Table Holding registers).

**NOTE**

The intensity of the LEDs can be adjusted between 0 and 100 % with a step of 10% according to the value set in Holding register 80.

Ambient light sensor

The Input Register 41 holds the measured light intensity in lux. In Holding registers 35 and 36, an active and standby level can also be specified. If the measured value is below the standby level, above the active level, or somewhere in between, Input Register 42 will indicate that:

- Ambient light level < standby level: Input Register 42 indicates "Standby".
- Ambient light level > active level: Input Register 42 indicates "Active".
- Standby level < Ambient light level < Active level: Input Register 42 indicates "Low intensity".

VERIFICATION OF INSTALLATION

One of the LEDs lights up after the power is turned on, depending on the status of the variable being measured. Check the connections if this is not the case.

TRANSPORT AND STORAGE

Avoid shocks and extreme conditions; stock in original packing.

WARRANTY AND RESTRICTIONS

The warranty against manufacturing flaws is valid for two years starting from the date of delivery. Any alterations or adjustments to the product absolve the manufacturer of all liability. The manufacturer disclaims all liability for typographical or other errors in this document.

MAINTENANCE

In normal conditions this product is maintenance-free. If soiled, clean with a dry or damp cloth. In case of heavy pollution, clean with a non-aggressive product. In these circumstances the unit should be disconnected from the supply. Pay attention that no fluids enter the unit. Only reconnect it to the supply when it is completely dry.