

STTA4

3-phase 400 VAC transformer controller with thermomagnetic breaker



The STTA4 series of transformer fan speed controllers regulate the rotational speed of three-phase voltage controllable motors by varying the output voltage. They are equipped with auto-transformers and control the speed manually in five steps. They feature a thermomagnetic breaker for protection of motors, contacts for remote start / stop as well as a 230 VAC alarm output.

Key features

- Wide power range: 1,5 A—14 A
- 5-step rotary switch for manual control plus off-position
- Motor protection by connecting the thermal (overheating) contacts of the motor
- Auto restart after power failure
- 230 VAC alarm output
- LED status indication
- 2 start / stop contacts for remote ON / OFF switching

Technical specifications

Supply voltage	3x 400 VAC / 50—60 Hz	
Max. motor current (Imax)	1,5—14 A, depending on the product version	
Unregulated output	230 VAC / 1A	
Enclosure	sheet steel (RAL 7035, polyester powder coating)	
Protection standard	IP54 (according to EN 60529)	
Ambient conditions	Temperature	-20—35 °C
	Rel. humidity	5—95 % rH (non-condensing)

Article codes

Article code	Rated max. current [A]	Thermal setting range [A]
STTA4-15L40	1,5	1,6—2,5
STTA4-25L40	2,5	2,5—4
STTA4-40L40	4	4—6,3
STTA4-60L40	6	6,3—10
STTA4-80L40	8	6,3—10
STTA4110L40	11	10—16
STTA4140L50	14	10—16

*The last 3 characters represent the voltage series. See the table below.

Voltage series

Knob position	Regulated output [VAC]							
	0	-	1	2	3	4	5	
L40 version	0	-	130	180	230	300	400	
L50 version**	0	130*	170	220	260	300	400	
Unregulated output [VAC]								
L1	0	230*	230	230	230	230	230	230

* Available but not connected.

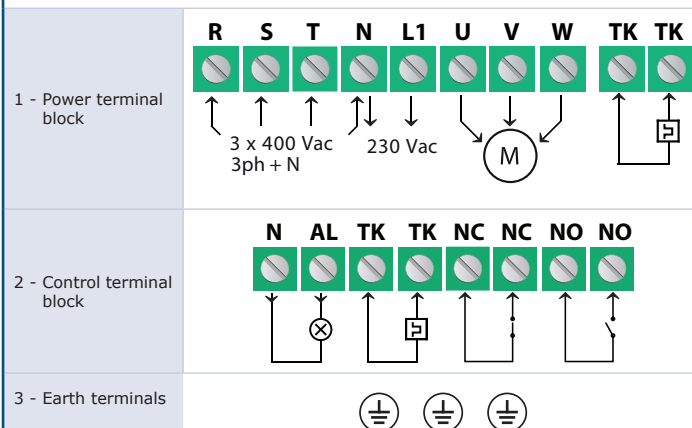
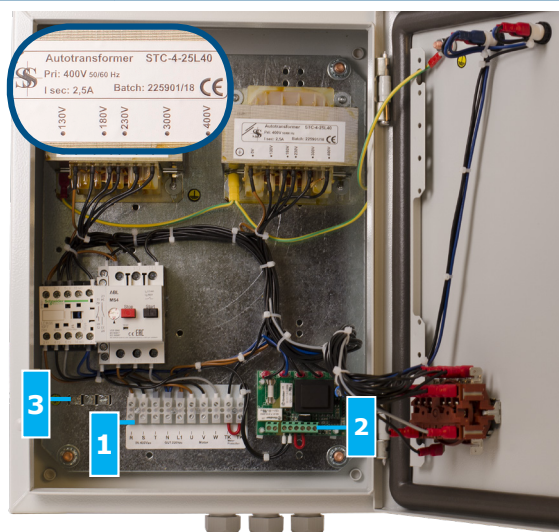
**If more than 5 output voltages are available, it is possible to adjust the 5 steps by changing the internal wiring.

Area of use

- Speed control of voltage controllable 400 VAC three-phase motors (pumps and fans)
- For indoor use only

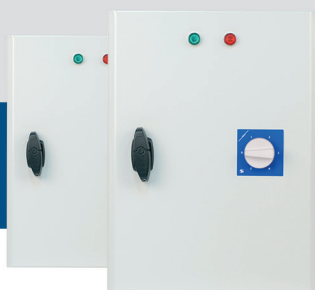


Legend



STTA4

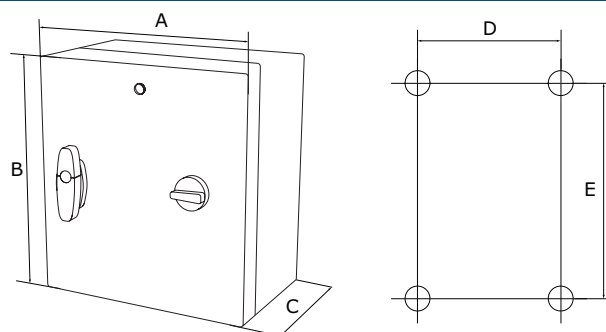
3-phase 400 VAC transformer controller with thermomagnetic breaker



Wiring and connections

Pe	Earth terminals
R	
S	Power supply 3x 400 VAC / 50–60 Hz
T	
N	Neutral
L1	Unregulated output, phase (230 VAC / 50–60 Hz / 2 A)
U	
V	Regulated output to motor
W	
N	Alarm output (230 VAC / 1 A)
AL	
TK	
TK	TK contact for protection of thermally protected motors
NC	
NC	Input - normally closed contact for remote ON / OFF switching
NO	
NO	Input - normally open contact for remote ON / OFF switching

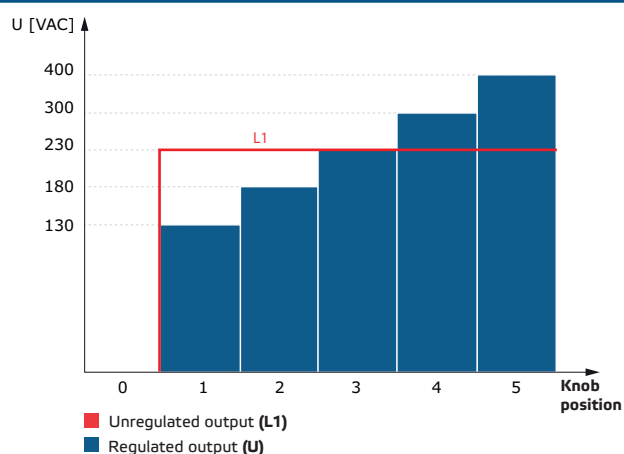
Fixing and dimensions



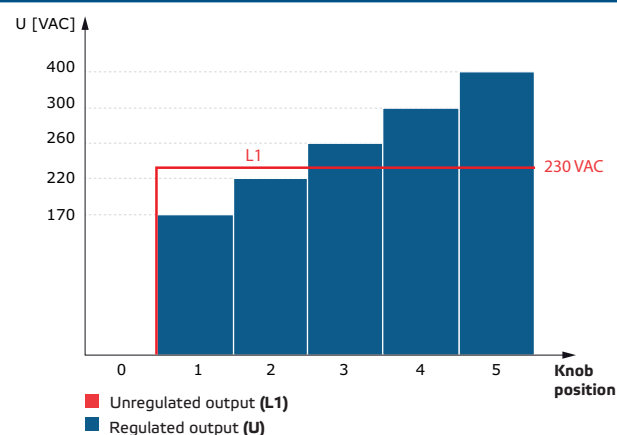
Article code	A [mm]	B [mm]	C [mm]	D [mm]	E [mm]
STTA4-15L40	300	325	185	255	255
STTA4-25L40	300	325	185	255	255
STTA4-40L40	300	425	185	255	355
STTA4-60L40	300	425	235	255	355
STTA4-80L40	300	425	235	255	355
STTA4110L40	400	430	235	355	355
STTA4140L50	400	430	235	355	355

Operational diagrams

L40 series



L50 series

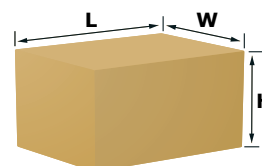


Standards

- Low Voltage Directive 2014/35/EC
- EMC Directive 2014/30/EC: EN 61326
- WEEE Directive 2012/19/EC
- RoHs Directive 2011/65/EC



Packaging



Article code	Packaging	Length [mm]	Width [mm]	Height [mm]	Net weight [kg]	Gross weight [kg]
STTA4-15L40	Unit (1 pc.)	440	310	200	13,50	13,95
STTA4-25L40	Unit (1 pc.)	440	310	200	14,50	15,02
STTA4-40L40	Unit (1 pc.)	440	310	200	18,50	19,03
STTA4-60L40	Unit (1 pc.)	440	310	250	22,00	22,64
STTA4-80L40	Unit (1 pc.)	440	310	250	27,32	27,92
STTA4110L40	Unit (1 pc.)	450	410	250	37,94	38,69
STTA4140L50	Unit (1 pc.)	450	410	250	42,30	42,73