

# SMT-D-4P-EM

## Control switch



The SMT-D-4P-EM is a control switch intended for EC motors. It regulates the speed via an analog input signal of 10 VDC which is converted to three steps corresponding to the relevant switch positions. Two of the output voltages can be adjusted according to the ambient conditions, i.e. switch positions 1 and 2. It has a splash-proof enclosure suitable for both surface and inset mounting.

### Key features

- Rotary knob for manual output voltage adjustment in 3 steps plus OFF-position
- Two trimmers for output voltage adjustment (switch positions 1 and 2)
- Enclosure suitable for demanding environment

### Technical specifications

Power consumption	< 1 mA	
Supply voltage	10 VDC	
Output voltage	Switch position 0	OFF
	Switch position 1	3–7 VDC (adjustable)
	Switch position 2	5–9 VDC (adjustable)
	Switch position 3	10 VDC
Enclosure	External	plastic ASA, RAL 9010
	Internal	polyamid IEC 60335
Protection standard	Inset mounted	IP44
	Surface mounted	IP54
Ambient conditions	Temperature	-20–40 °C
	Rel. humidity	< 100 % rH (non-condensing)

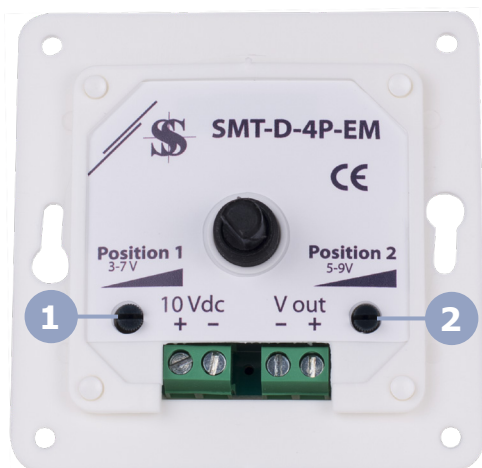


### Area of use

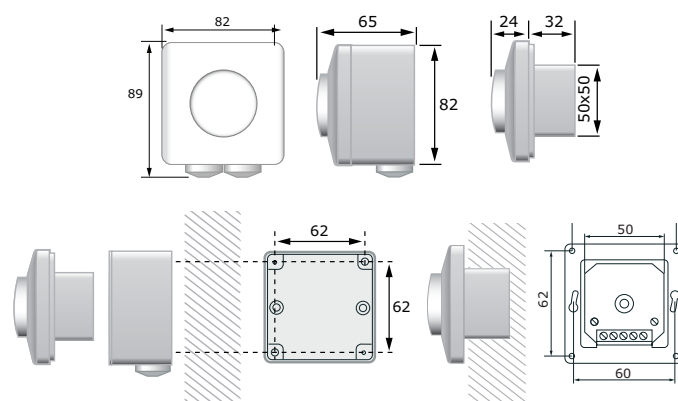
- Speed control of EC fans in ventilation systems
- Suitable for kitchens and bathrooms
- For indoor use only

### Wiring and connections

10 VDC	+	Supply voltage 10 VDC
	-	Supply voltage, ground
V out	+	Output voltage, 0–10 VDC
	-	Output voltage ground
Connections	Cable cross section: max. 2,5 mm <sup>2</sup>	



### Fixing and dimensions



### Settings

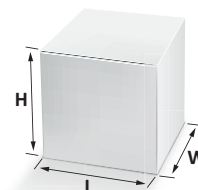
1 - Trimmer, position 1	Adjusts the output voltage within the range 3–7 VDC
2 - Trimmer, position 2	Adjusts the output voltage within the range 5–9 VDC

### Standards

- Low Voltage Directive 2006/95/EC
- WEEE Directive 2012/19/EU



### Packaging



Article	Packaging	Length [mm]	Width [mm]	Height [mm]	Net weight	Gross weight
SMT-D	Unit (1 pc.)	95	85	70	0,14 kg	0,167 kg
	Carton (10 pcs.)	492	182	84	1,41 kg	1,803 kg
	Box (60 pcs.)	590	380	280	8,46 kg	11,44 kg