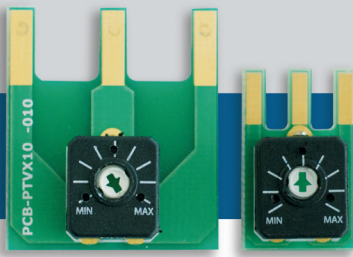


Speed select trimmer for AC fan speed controllers



PTV trimmer potentiometers can be used to set and adjust the input signal for electronic AC fan speed controllers that work with an analog input. There are two product versions: PTV-X05.0 for mounting to a standard terminal block with pitch 5 mm and PTV-X10.0 for mounting to a standard terminal block with pitch 10 mm.

Key features

- Direct 0–10 VDC control by trimmer potentiometer
- Easy mounting to a standard terminal block
- Low costs
- Regulation from 0–Us (DC supply voltage)
- Supply voltage up to 30 VDC

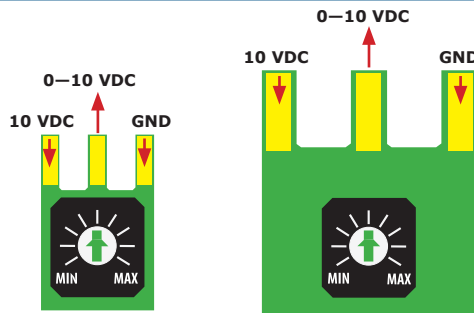
Area of use

- Manual control of the motor / fan speed in HVAC applications
- For indoor use only

Technical specifications

Supply voltage	0–30 VDC	
Analog output types	0–Us VDC	
Standard trimmer	10 kΩ	
Trimmer mechanical life expectancy	10.000 rotation cycles	
Maximum load current	50 mA	
Ambient conditions	Operating temperature	-5–65 °C / 23–149 °F
	Relative humidity	5–85 % rH (non-condensing)
Storage temperature	-25–70 °C	

Wiring and connections



10 VDC	Supply voltage 10 V (standard DC voltages up to $U_s = 30$ VDC)
0–10 VDC	Regulated output voltage (0– U_s)
GND	Ground

Packaging



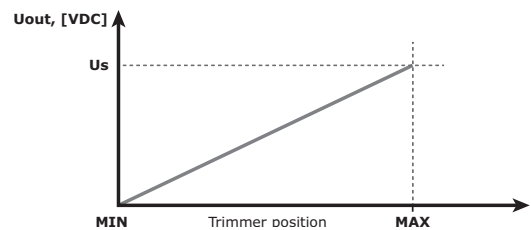
Article	Packaging	Length [mm]	Width [mm]	Net weight	Gross weight
PTV-X05.0	Bag (10 pcs.)	120	80	0,020 kg	0,021 kg
PTV-X10.0	Bag (10 pcs.)	120	80	0,030 kg	0,031 kg



Article codes

Article code	Input terminal block
PTV-X05.0	pitch 5 mm
PTV-X10.0	pitch 10 mm

Operational diagrams



Standards

- Low Voltage Directive 2014/35/EC
- EMC Directive 2014/30/EC: EN 61326
- WEEE 2012/19/EC
- RoHS Directive 2011/65/EC



Fixing and dimensions

