



PSW

Differential pressure switch

The PSW series are highly sensitive, adjustable differential pressure switches suitable for monitoring overpressure, vacuum and differential pressure of air or other non-combustible, non-aggressive gases. The switching pressure setpoint can be adjusted by means of a scaled calibrated knob; the switching ΔP - by a screwdriver and a pressure gauge.

Key features

- High sensitivity and accuracy
- Product versions for a variety of pressure ranges
- Adjustable switching point (DP)
- Long-term mechanical life

Technical specifications

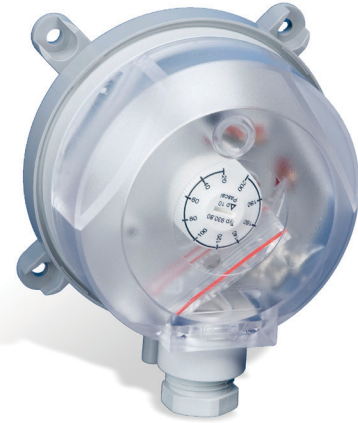
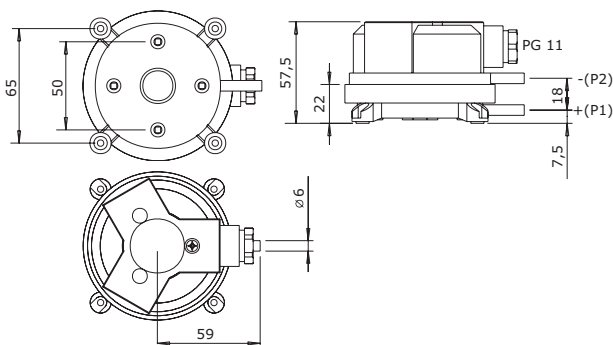
Max. operating pressure	2,500 Pa for all pressure ranges	
Mechanical life cycles	10.000.000 operations	
Contacts rating	max. 1,0 A (0,4) / 250 VAC (VDE 0630, EN 1854)	
Diaphragm	Silicone	
Protection standard	IP54 (according to EN 60529)	
Ambient conditions	Temperature	-20—85 °C
	Rel. humidity	< 95 % rH (non-condensing)

*Use screened extension wires

Article codes

	PSW-200	PSW-500
Range, Pa	20—200	50—500
Range, mBar	0,2—2,0	0,5—5,0
ΔP , Pa (mBar)	10 (0,1)	20 (0,2)

Dimensions



Area of use

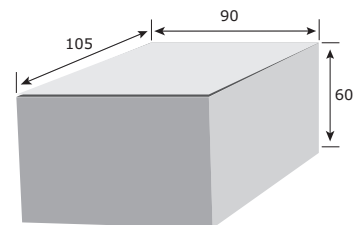
- Air filter and fan monitoring
- Overheating protection for fan heaters
- Controlling air and fire-protection dampers
- Monitoring air flows
- Monitoring flows in ventilation ducts
- Frost protection for heat exchanger
- Air or other non-combustible, non-aggressive gases

Standards

- Low Voltage Directive 2006/95/EC
- WEEE Directive 2012/19/EU
- RoHS Directive 2011/65/EU



Packaging



Article	Packaging	Length [mm]	Width [mm]	Height [mm]	Net weight	Gross weight
PSW	Unit (1 pc.)	90	105	60	0,14 kg	0,16 kg
	Box (72 pcs.)	580	370	270	10,08 kg	12,3 kg