



PSET-PVC

PVC differential pressure connection set

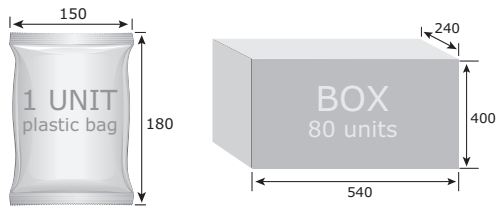
Contents

Element	Pcs.	Material	Details
Connector end	2	ABS, grey	Length: 84,6 mm Connecting end diameter: Ø 6 mm
Screw	4	Metal, zinc plated	Type: round pan head, self-tapping 2,9 x 9,5 mm
Flexible tubing	1	PVC, transparent	Diameter: Ø 5 x 7 mm Length: 200 cm

Technical specifications

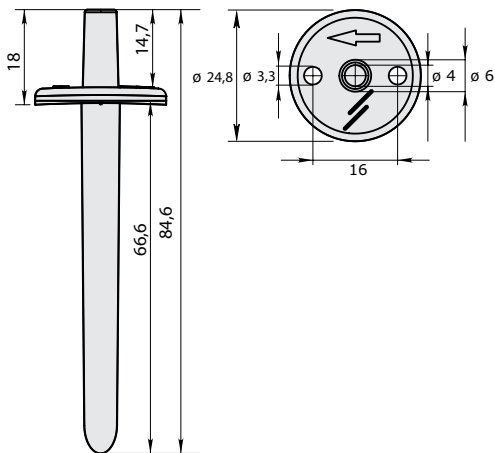
Working pressure	max. 10.000 Pa
Operating temperature	max. 60 °C

Packaging



Article	Packaging	Length [mm]	Width [mm]	Height [mm]	Net weight	Gross weight
PSET- PVC-200	Unit (1 pc.)	180	150	5,0	0,64 kg	0,64 kg
	Box (80 pcs.)	540	400	240	6,4 kg	6,4 kg

Fixing and dimensions



Article codes

Code	Tubing length
PSET-PVC-200	200 cm

Standards

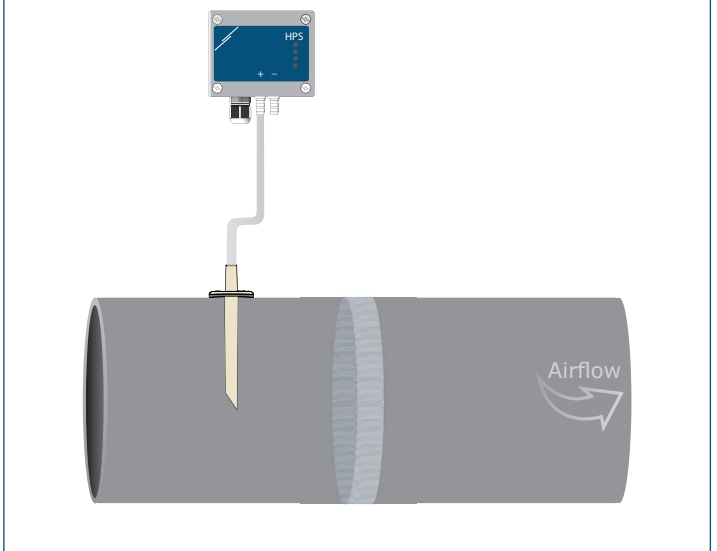
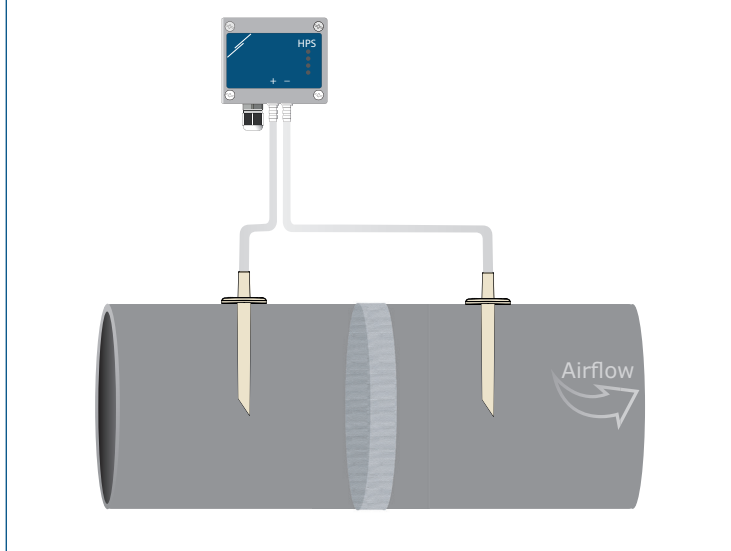
- DIN EN ISO 7046-1, 2
- WEEE Directive 2012/19/EU



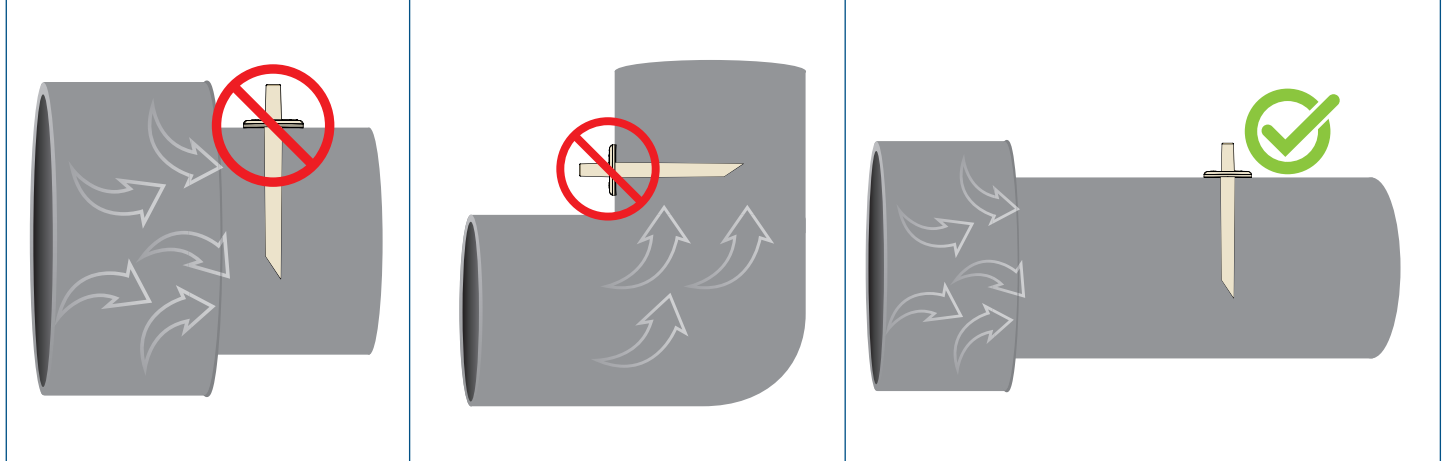
PSET-PVC

PVC differential pressure connection set

Application 1: Detection of clogged filter Application 2: Detection of supplied air volume [m³/h]



Mounting position



Installation requirements: Correct positioning of the PSET-PVC connection ends is critical for reliable and accurate parameter readings in ducts, therefore they should be placed far enough from any source of air turbulence. The minimum distance at which the connection ends should be placed from the source of turbulence is in function of the duct diameter. Also install the connection ends far enough from bends, junctions or section changes in the duct to ensure accurate readings.

Global trade item numbers (GTIN)	
Packaging	PSET-PVC-200
Unit	05401003010792
Box	05401003502389