



MTV-1-010-PM

230 VAC potentiometer with multifunctional output

The MTV-1-010-PM potentiometer is developed to control equipment that needs a 1–10 VDC, 2–20 mA or 10–100 % PWM control signal. The potentiometer needs a supply of 230 VAC, and gives a stepless output signal. The minimum output values can be adjusted within 1–7 VDC / 2–14 mA / 10–70 % PWM and the maximum output values - within 3–10 VDC / 6–20 mA / 30–100 % PWM. In OFF position, the output is 0 VDC. The potentiometer is suitable for both inset (IP44) and surface mounting (IP54).

Key features

- Selectable output: 1–10 VDC, 2–20 mA or 10–100 % PWM
- Infinitely variable control of the output voltage
- Selectable minimum (Vmin) and maximum (Vmax) output by internal trimmers
- A splash-proof enclosure
- Inset or surface mounting

Technical specifications

Supply	230 VAC ±10 % / 50–60 Hz	
Output	1–10 VDC / 2–20 mA / 10–100 % PWM	
Vmin	1–7 VDC / 2–10 mA / 10–70 % PWM	
Vmax	3–10 VDC / 6–20 mA / 30–100 % PWM	
Load	0–10 VDC mode: ≥ 2 kΩ 0–20 mA mode: ≤ 500 Ω PWM mode: ≥ 2kΩ	
Protection standard	IP44 / IP54 (according to EN 60529)	
Ambient conditions	Temperature	0–40 °C
	Rel. humidity	100 % rH (non-condensing)



Area of use

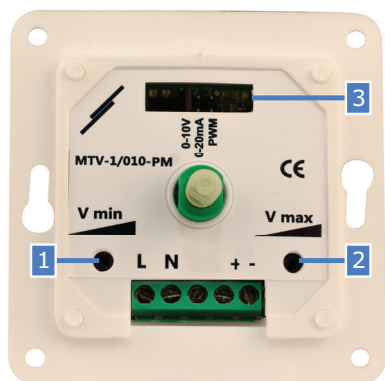
- A variety of applications where a 1–10 VDC, 2–20 mA or 10–100 % PWM control signal is required

Wiring and connections

L, N	Power supply (230 VAC ±10 % / 50–60 Hz)
+ 0	Output voltage (0–10 VDC / 0–20 mA / PWM)
Connections	Cable cross section: max. 2,5 mm²

Standards

- Low Voltage Directive 2014/35/EC
- EMC Directive 2014/35/EC
- WEEE Directive 2012/19/EU
- RoHS Directive 2011/65/EU



Settings

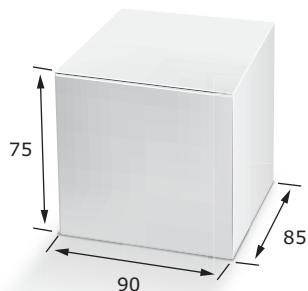
1 - Minimum speed / output trimmer, Vmin	1–7 VDC / 2–14 mA / 10–70 % PWM
2 - Maximum speed / output trimmer, Vmax	3–10 VDC / 6–20 mA / 30–100 % PWM
3 - Analogue output mode selection jumper	1: 0–10 VDC / 2: 0–20 mA / 3: PWM



MTV-1-010-PM

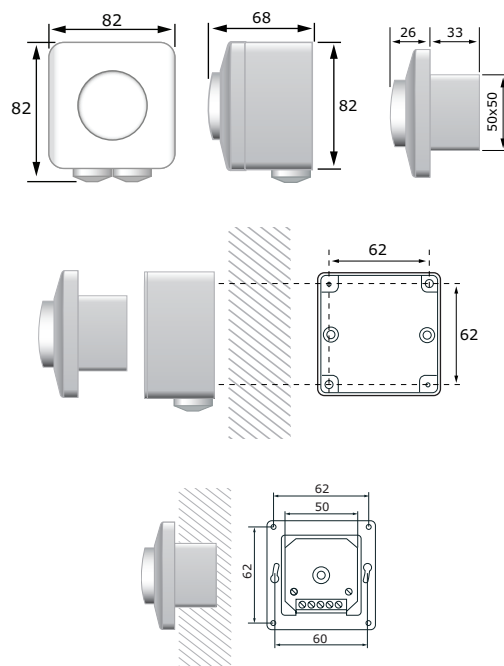
230 VAC potentiometer with multifunctional output

Packaging



Article	Packaging	Length [mm]	Width [mm]	Height [mm]	Net weight	Gross weight
MTV-1-010-PM	Unit (1 pc.)	95	85	70	0,19 kg	0,21 kg
	Carton (10 pcs.)	492	182	84	1,84 kg	2,23 kg
	Box (60 pcs.)	590	380	280	11,04 kg	14,03 kg

Fixing and dimensions



Operational diagrams

