



MTP-D

Potentiometer with min & max settings

These potentiometers control fans equipped with an EC motor. They are suitable for applications where a DC control signal is required. Their enclosures are splashproof and can be used both for inset and surface mounting. There are two versions: with and without off-position.

The potentiometers require a supply between 3 VDC and 15 VDC and provide an infinitely variable output signal between two internally selectable positions: V_{min} and V_{max} . The load must not be lower than $2\text{ k}\Omega$ ($R_L \geq 2\text{ k}\Omega$).

Key features

- Infinitely variable control of the output voltage
- Selectable minimum (V_{min}) and maximum (V_{max}) output by internal trimmer
- Splashproof enclosure
- Inset or surface mounting

Technical specifications

	MTP-D010-AT	MTP-D010-BT
Supply (V_{in})	3–15 VDC	
Output	0, V_{min} – V_{max}	V_{min} – V_{max}
V_{min}	10–70 % V_{in}	
V_{max}	30–100 % V_{in}	
Load	$\geq 2\text{ k}\Omega$	
Consumption	$\leq 10\text{ mA}$ incl. load	
Off-position	yes	no
Protection standard	IP44 / IP54 (according to EN 60529)	
Ambient conditions	Temperature	0–50 °C
	Rel. humidity	< 95 % rH (non-condensing)



Area of use

- A variety of applications where a DC control signal is required

Article codes

	Output	Off-position
MTP-D010-AT	0, V_{min} – V_{max}	yes
MTP-D010-BT	V_{min} – V_{max}	no

Standards

- Low Voltage Directive 2014/35/EC
- WEEE Directive 2012/19/EU
- RoHS Directive 2011/65/EU



Settings

1 – Minimum speed / output trimmer, V_{min}	10–70 % V_{in}
2 – Maximum speed / output trimmer, V_{max}	30–100 % V_{in}

Wiring and connections

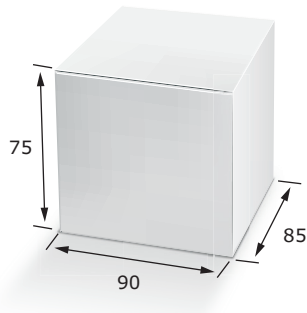
V_{in}	DC supply voltage (3–15 VDC)
V_{out}	Output voltage (0,3–15 VDC / $R_L \geq 2\text{ k}\Omega$)
Connections	Cable cross section: max. 2,5 mm ²



MTP-D

Potentiometer with min & max settings

Packaging



Article	Packaging	Length [mm]	Width [mm]	Height [mm]	Net weight	Gross weight
MTP-D010-AT	Unit (1 pc.)	95	85	70	0,14 kg	0,17 kg
	Carton (10 pcs.)	492	182	84	1,39 kg	1,79 kg
	Box (60 pcs.)	590	380	80	8,34 kg	11,345 kg
MTP-D010-BT	Unit (1 pc.)	95	85	70	0,14 kg	0,17 kg
	Carton (10 pcs.)	492	182	84	1,39 kg	1,79 kg
	Box (60 pcs.)	590	380	280	8,34 kg	11,345 kg

Fixing and dimensions

