



# HPSPX-2

## Differential pressure PI controller

The HPSP -2 series are high resolution differential pressure controllers. The integrated PI control with anti-windup function offers the possibility to directly control EC motors / fans. They are equipped with a fully digital state-of-the-art pressure transducer designed for a wide range of applications. Zero point calibration and Modbus registers reset can be executed via a tact switch. They also feature integrated K-factor and an analogue / modulating output (0–10 VDC / 0–20 mA / 0–100 % PWM). All parameters are accessible via Modbus RTU (3SModbus software or Sensistant).



### Key features

- Built-in digital high resolution differential pressure sensor
- Air velocity detection (by using an external PSET-PTX-200 Pitot tube connection set)
- Variety of operating ranges
- Selectable response time: 0,1–10 s
- Implemented K-factor
- Differential pressure, air volume<sup>(1)</sup> or air velocity<sup>(2)</sup> readout via Modbus RTU
- Modbus registers reset function (to factory pre-set values)
- Selectable internal voltage source for PWM output: 3,3 / 12 VDC
- Four LED indicators for the status of the transmitter and the controlled values
- Modbus RTU communication
- Sensor calibration procedure
- Selectable minimum and maximum span
- Selectable analogue / modulating output
- Aluminium pressure connection nozzles

### Article codes

Codes	Power supply	Maximum power consumption	Nominal power consumption	Imax	Operating range
HPSPF-1K0-2	18–34 VDC	1,8 W	1,35 W	100 mA	0–1.000 Pa
HPSPF-2K0-2					0–2.000 Pa
HPSPF-4K0-2					0–4.000 Pa
HPSPF-10K-2					0–10.000 Pa
HPSPG-1K0-2	18–34 VDC	1,71 W	1,28 W	95 mA	0–1.000 Pa
HPSPG-2K0-2					0–2.000 Pa
HPSPG-4K0-2	15–24 VAC ±10 %	3,3 W	2,475 W	220 mA	0–4.000 Pa
HPSPG-10K-2					0–10.000 Pa

### Technical specifications

Selectable analogue / modulating output	0–10 VDC	$R_L \geq 50 \text{ k}\Omega$
	0–20 mA	$R_L \leq 500 \Omega$
	0–100 % PWM	PWM Frequency: 1 kHz, $R_L \geq 50 \text{ k}\Omega$
Operating modes	Differential pressure	
	Air volume	
	Air velocity	
Accuracy	±2 % of the operating range	
Protection standard	IP65 (according to EN 60529)	
Enclosure	ASA, grey (RAL9002)	
Ambient conditions	Temperature	–5–65 °C
	Rel. humidity	< 95 % rH (non-condensing)

### Wiring and connections

Article type	HPSPF	HPSPG	
Vin	18–34 VDC	18–34 VDC	13–26 VAC
GND	Ground	Common ground*	AC ~*
A	Modbus RTU (RS485), signal A		
/B	Modbus RTU (RS485), signal /B		
AO1	Analogue / modulating output (0–10 VDC / 0–20 mA / PWM)		
GND	Ground AO1	Common ground*	
Connections	Cable cross section		1,5 mm <sup>2</sup>

**\*Attention!** The -F version of the product is not suited for 3-wire connection. It has separate grounds for power supply and analogue output. Connecting both grounds together might result in incorrect measurements. Minimum 4 wires are required to connect -F type sensors.

The -G version is intended for 3-wire connection and features a 'common ground'. This means that the ground of the analogue output is internally connected with the ground of the power supply. For this reason, -G and -F types cannot be used together on the same network. Never connect the common ground of -G type articles to other devices powered by a DC voltage. Doing so might cause permanent damage to the connected devices.

### Area of use

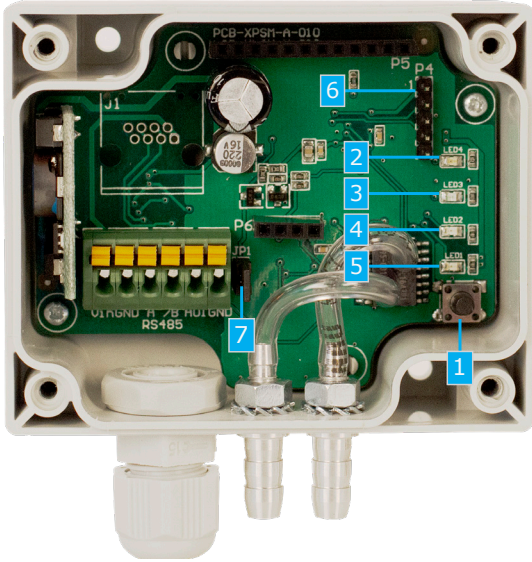
- Differential pressure, air velocity<sup>(1)</sup> or volume flow<sup>(2)</sup> measurement in HVAC applications
- Overpressurizing applications: clean rooms to avoid particle contamination or staircases for fire safety
- Underpressurizing applications: restaurant kitchens and biohazard laboratories
- Volume flow application: ensuring the minimum legal ventilation rate (m<sup>3</sup>/h) for buildings

<sup>(1)</sup> Only when K-factor of fan is known. If K-factor is unknown, air volume flow can be calculated via multiplying the duct cross-sectional area (A) by the air flow velocity (V) using the formula:  $Q = A * V$

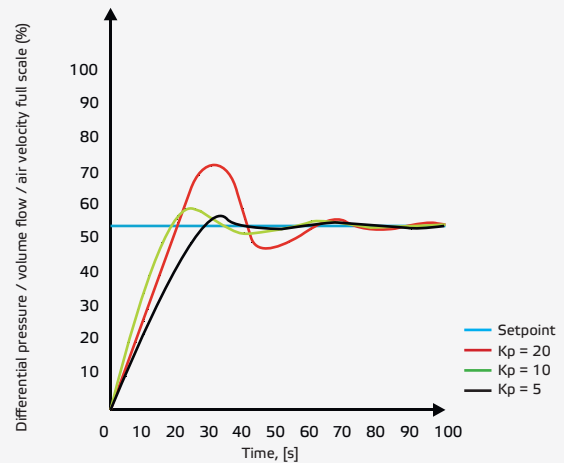
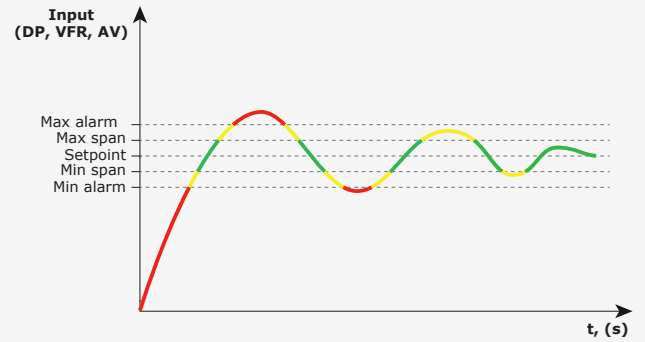
<sup>(2)</sup> By using an external PSET-PTX-200 Pitot tube connection set

# HPSPX-2

Differential pressure PI controller



## Operational diagrams

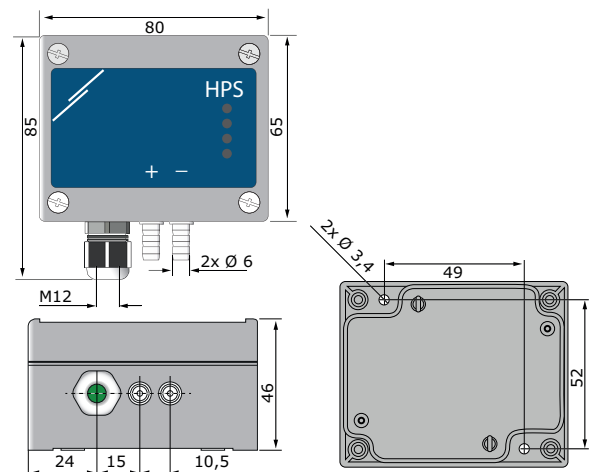


## Settings

1 - Sensor calibration and Modbus register reset tact switch (SW1)		Push to start the Modbus RTU register factory reset or the sensor calibration
2 - Red LED4	<b>Blinking</b>	Sensor element failure
3 - Yellow LED3	<b>On</b>	The differential pressure, air volume or air velocity has exceeded the minimum or maximum alarm threshold
4 - Green LED2	<b>On</b>	The actual differential pressure, air volume or air velocity is stabilized between the minimum span and maximum span
5 - Green LED1	<b>On</b>	Power OK; active Modbus RTU communication
6 - Modbus holding registers reset jumper (P4)*		Put a jumper onto pins 1 and 2 for at least 20 s to reset holding registers 1—3
7 - Internal pull-up resistor jumper JP1		Connection to internal voltage source

\* The reset jumper is not included in the set  
\*\* indicates closed position of the jumper.

## Fixing and dimensions



## Modbus registers



The Sensistart Modbus configurator allows you to easily monitor and/or configure Modbus parameters.



The parameters of the unit can be monitored / configured through the 3SMODBUS software platform. You can download it from the following link:  
<https://www.sentera.eu/en/3SMCenter>

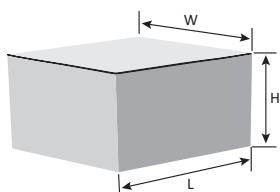
For more information about the Modbus registers, please refer to the product Modbus Register Map.



# HPSPX-2

Differential pressure PI controller

## Packaging



Article	Packaging	Length [mm]	Width [mm]	Height [mm]	Net weight	Gross weight
HPSP -2	Unit (1 pc.)	95	85	70	0,12 kg	0,13 kg
	Carton (10 pcs.)	495	185	87	1,20 kg	1,30 kg
	Box (60 pcs.)	590	380	280	7,2 kg	7,8 kg

## Standards

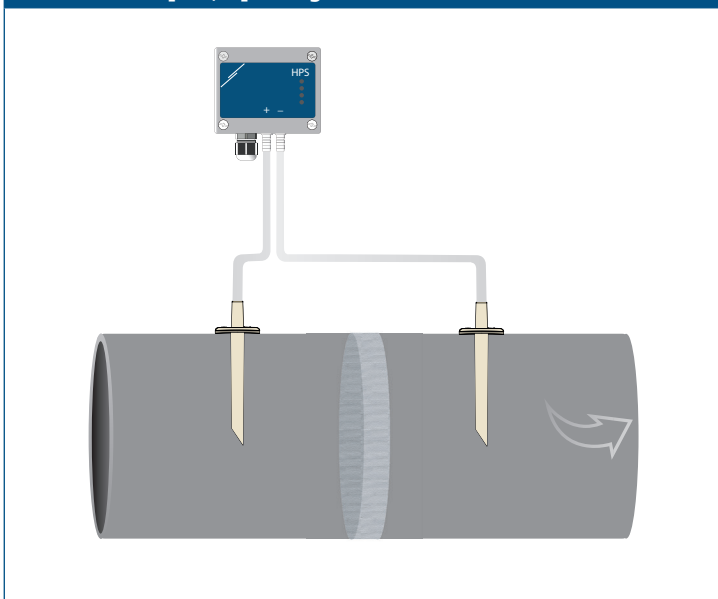


- EMC directive 2014/30/EU:
  - EN 61326-1:2013 Electrical equipment for measurement, control and laboratory use - EMC requirements - Part 1: General requirements
  - EN 61326-2-3:2013 Electrical equipment for measurement, control and laboratory use - EMC requirements - Part 2-3: Particular requirements - Test configuration, operational conditions and performance criteria for transducers with integrated or remote signal conditioning

- WEEE Directive 2012/19/EC

- RoHS Directive 2011/65/EC

### Application 1: Measuring differential pressure [Pa] or air flow volume [m<sup>3</sup>/h] using PSET-PVC



### Application 2: Measuring supplied air volume [m<sup>3</sup>/h] or airflow velocity [m/s] using PSET-PT

