

GTTE1

Transformer temperature controller



The GTTE1 series of transformer fan speed controllers regulate the rotational speed of single-phase voltage controllable motors by varying the output voltage according to a measured temperature. They are equipped with auto-transformer(s) and control the speed of the supply and extraction fan automatically in five steps according to the temperature input of the integrated flying lead sensor. An electric heater can be controlled (ON/OFF) via the extra output.

Key features

- Plug and play, no wiring needed
- 2 Schuko Euro sockets for connecting a supply and / or extraction fan
- 1 Schuko Euro socket for connecting an electric heater (Imax. 16 A)
- Supply cables with plugs 230 VAC / 16 A
- Integrated 4 m flying lead PT500 temperature probe
- All sockets are separately and externally fused
- Integrated external plate for easy wall fixing
- Potentiometer for temperature setpoint range: 21–35 °C
- Rotary switches for minimum and maximum speed setting

Technical specifications

Supply voltage	230 VAC / 50–60 Hz	
Max. combined motor current	GTTE1-35L22	3,5 A
	GTTE1-75L22	7,5 A
Max. heater current	16 A	
Temperature control	21–35 °C	
Minimum regulated output voltage adjustable via rotary switch	80–190 VAC	
Maximum regulated output voltage adjustable via rotary switch	140–230 VAC	
Hysteresis	0,2 °C	
Proportional range	2 °C	
Enclosure	plastic (R-ABS, UL94-V0, grey RAL 7035)	
Protection standard	IP54 (according to EN 60529)	
Ambient operating conditions	Temperature	-10–40 °C
	Rel. humidity	5–80 % rH (non-condensing)

Article codes

Article code	Imax	Fuse (5*20 mm), [A]
GTTE1-35L22	3,5 A	F: T-5,0 A-H
GTTE1-75L22	7,5 A	F: T-12,5 A-H

Area of use

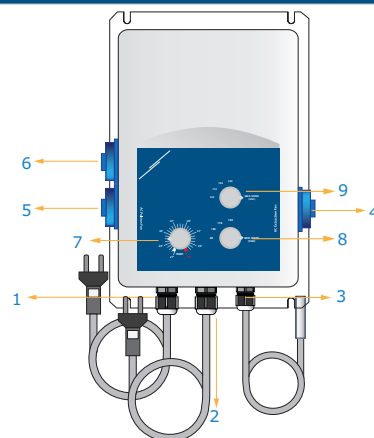
- Ventilation control by single phase 230 VAC units in function of the measured temperature. Application field: greenhouses, stables, sheds, etc.
- Temperature controlled ventilation systems
- For indoor use only

Standards

- Low Voltage Directive 2014/35/EC: EN 60335-1:2012
- EMC Directive 2014/30/EC: EN 61000-6-3:2007/A1:2011/AC:2012, EN 61000-6-2:2005/AC:2005



Wiring and connections



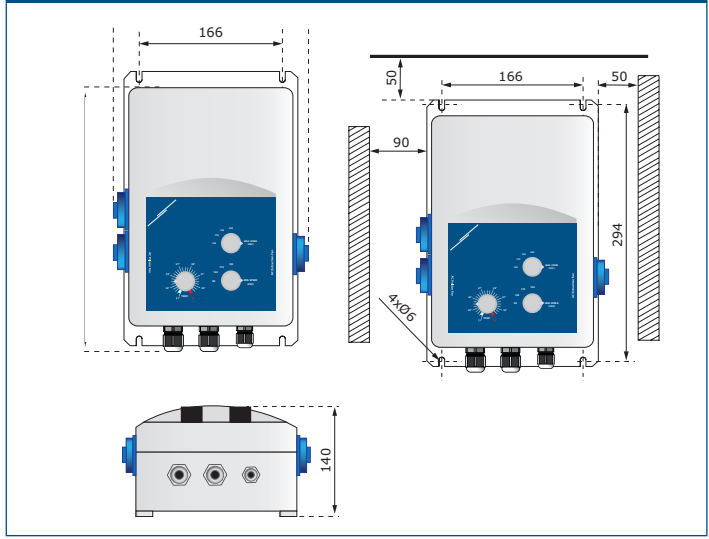
1 - Standard power supply Euro plug cable for heater (1,5 m)	Power supply	230 VAC / 50–60 Hz
2 - Standard power supply Euro plug cable for controller (1,5 m)	Power supply	230 VAC / 50–60 Hz
	Length	4 m, connected to PT500
3 - Temperature sensor probe	Resistance	500 Ω at 0 °C
	Sensor measuring range	-30–70 °C
	Load connection	230 VAC / 50–60 Hz
4 - AC extraction fan socket	Load connection	230 VAC / 50–60 Hz
5 - AC supply fan socket		230 VAC / 50–60 Hz; Imax 16 A (3 kW)
6 - Heater socket	Operating range	21–35 °C, 1 °C scale
7 - Temperature setpoint potentiometer		80 / 140 / 170 / 190 VAC
8 - Minimum regulated output voltage via rotary switch		
9 - Maximum regulated output voltage via rotary switch	140 / 170 / 190 / 230 VAC	

GTTE1

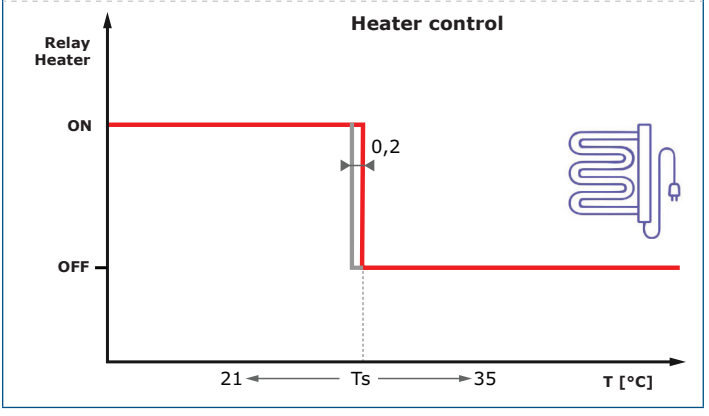
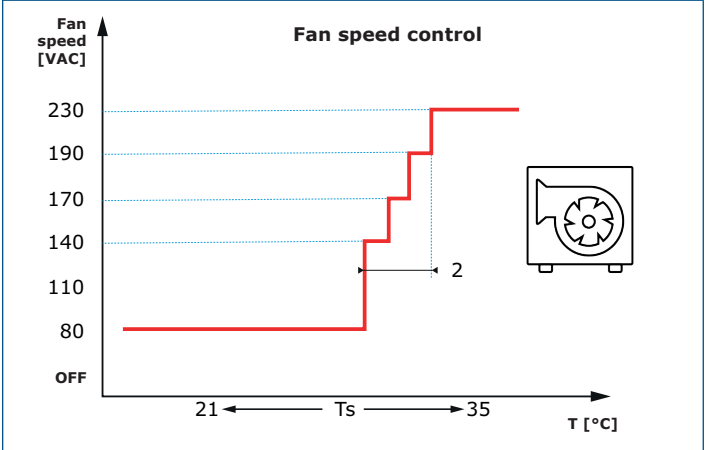
Transformer temperature controller



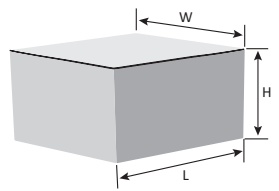
Fixing and dimensions



Operational diagrams



Packaging



Article	Packaging	Length [mm]	Width [mm]	Height [mm]	Net weight	Gross weight
GTTE1-35L22	Unit (1 pc.)	340	255	155	5 kg	5,8 kg
GTTE1-75L22	Unit (1 pc.)	340	255	155	8,5kg	9,2 kg

Global trade item numbers (GTIN)

Packaging	GTTE1-35L22	GTTE1-75L22
Unit	05401003017739	05401003017746

GTTE1

Transformer temperature controller



Application example

