

The GTT series of transformer fan speed controllers regulate the rotational speed of single-phase voltage controllable motors by varying the output voltage according to a measured temperature. They are equipped with auto-transformer(s) and control the speed of fans in automatic or manual mode (in five steps) according to the temperature input of the integrated flying lead sensor. The controllers up to 7,5 A are available in plastic enclosure, while the models above 7,5 A are available in a metal enclosure.

Key features

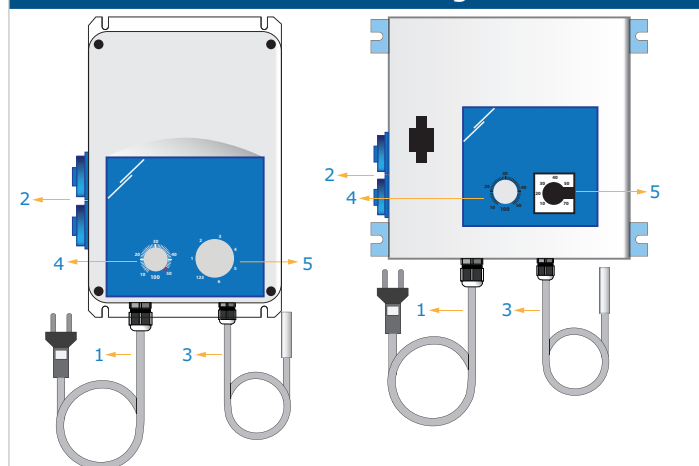
- Wide power range: 3,5 A–12 A
- 7-step rotary switch: Off position + manual 5-step control + Auto mode
- Plug and play, no wiring needed
- Manual or automatic mode, selectable by switch
- Potentiometer for temperature setpoint (range 15–35 °C) in 1 °C scale
- Integrated overheating protection (GTT-11200L22 only)
- Two Schuko IP54 sockets 250 VAC / 16 A
- Integrated 1,5 m supply cable with plug 250 VAC / 16 A
- Integrated flying lead PT500 temperature probe
- Integrated external plate for easy wall fixing

Technical specifications

Supply voltage	230 VAC / 50–60 Hz	
Max. motor current (Imax)	3,5–12 A, depending on the product version	
Max. consumption (no load)	65 W	
Temperature control	15–35 °C	
Hysteresis	0,5 °C	
Proportional range	5 °C	
Enclosure	plastic (R-ABS, UL94-V0, grey RAL 7035) or sheet steel (RAL 7035, polyester powder coating), depending on the product version	
Protection standard	IP54 (according to EN 60529)	
Ambient operating conditions	Temperature	0–35 °C
	Rel. humidity	< 95 % rH (non-condensing)



Wiring and connections



1 - Standard power supply Euro plug (1,5 m)	Power supply	230 VAC / 50–60 Hz
2 - 2 sockets in parallel for load connection	Output voltage	OFF + 5 steps 110 / 140 / 170 / 190 / 230 VAC (80 VAC, optional)
	Min. load current	180 mA
3 - Temperature sensor probe	Length	4 m, connected to PT500
	Resistance	500 Ω at 0 °C
	Sensor measuring range	-30–70 °C
4 - Temperature setpoint potentiometer	Operating range	15–35 °C, 1 °C scale
5 - 7-position switch	0	Off position
	1–5	Manual control positions
	A	Auto mode
6 - Connections	Cable gland clamping ranges	3–6 mm / 8–13 mm

Caution: When choosing a controller it is important to know the maximum current on the taps. Make sure you have chosen the right controller. You can take the indicated rated maximum current from each transformer tap.

Article codes

Articles	Rated max. current [A]	Fuse [A]	Enclosure
GTT-1-35L22	3,5 A	T 5,0 A-H (5*20 mm)	plastic (R-ABS, UL94-V0, grey RAL 7035)
GTT-1-50L22	5,0 A	T 8,0 A-H (5*20 mm)	
GTT-1-75L22	7,5 A	T 12,5 A-H (5*20 mm)	
GTT-1120L22	12,0 A	T 16,0 A-H (6*32 mm)	sheet steel (RAL7035, polyester powder coating)

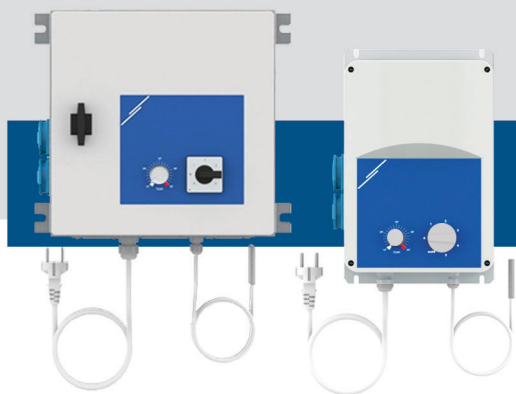
Voltage series

Knob position	0	-	1	2	3	4	5	Auto mode
Regulated output [VAC]	0	80*	110	140	170	190	230	according to temperature setpoint

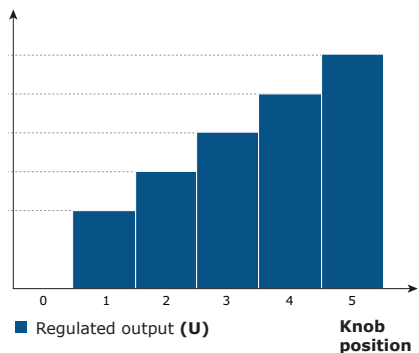
* Available but not connected.

Area of use

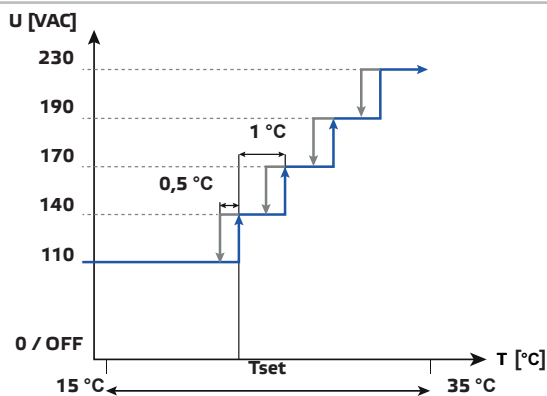
- Speed control, according to a measured temperature, of single phase 230 VAC motors (pumps and fans). Application field: greenhouses, stables, sheds
- For indoor use, surface mounted
- Clean air with non-aggressive, non-combustible gases



Operational diagrams



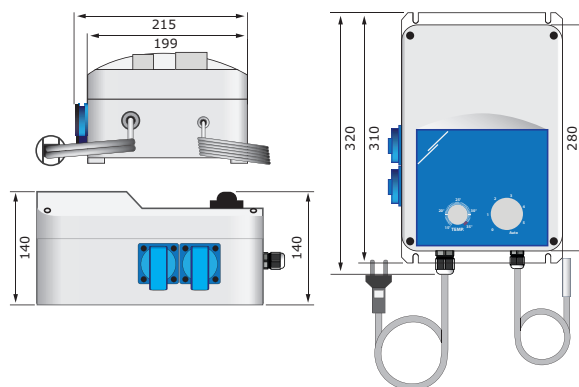
MANUAL MODE



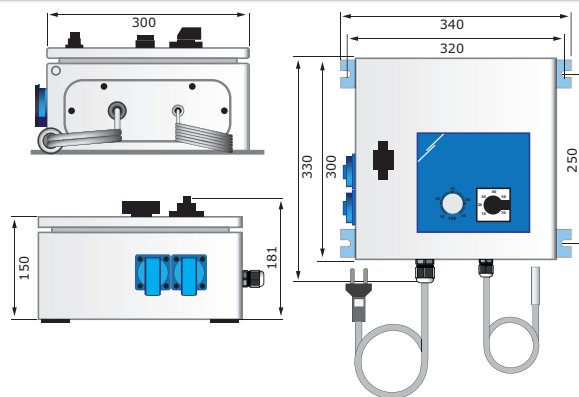
AUTOMATIC MODE

Fixing and dimensions

GTT-1-35L22, GTT-1-50L22, GTT-1-75L22



GTT-1120L22

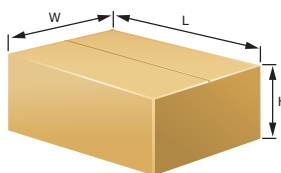


Standards

- i Low Voltage Directive 2006/95/EC
- EMC Directive 2004/108/EC: EN 61326
- WEEE Directive 2012/19/EU
- RoHs Directive 2011/65/EU

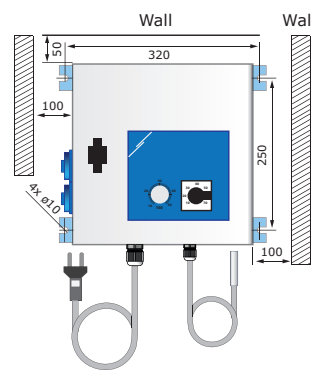


Packaging

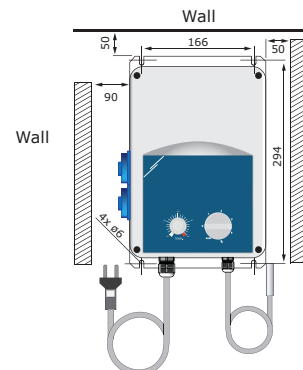


Positions

GTT-1120L22



GTT-1-35L22, GTT-1-50L22, GTT-1-75L22



Articles	Packaging	Length [mm]	Width [mm]	Height [mm]	Net weight [kg]	Gross weight [kg]
GTT-1-35L22	Unit (1 pc.)	341	256	156	5,00	5,75
	Pal. (96 pcs.)	1,200	800	1,800	480,00	567,00
GTT-1-50L22	Unit (1 pc.)	341	256	156	5,60	6,35
	Pal. (96 pcs.)	1,200	800	1,800	537,60	634,60
GTT-1-75L22	Unit (1 pc.)	341	256	156	8,40	9,15
	Pal. (96 pcs.)	1,200	800	1,800	638,40	710,40
GTT-1120L22	Unit (1 pc.)	340	320	200	15,70	16,28
	Pal. (48 pcs.)	1,200	800	1,430	753,60	796,44