



ECA-1-10-AC

Ceiling fan speed controller

The ECA controllers are especially developed to control ceiling fans. They feature four positions that are switched in parallel to vary the voltage supplied to the motor. The controllers are suitable for inset mounting (IP44) and surface mounting (IP54).

Key features

- 4 output speeds and 2 OFF positions (0-4-3-2-1-0)
- Extra quiet motor operation
- Fuse 5*20 mm, spare fuse included

Area of use

- Control of ceiling fans with voltage controllable motors
- For indoor use only

Article codes

Article code	Rated maximum current [A]	Fuse (5*20 mm) [A]
ECA-1-10-AC	1,0	F-1,25 A-H

Technical specifications

Power supply	230 VAC / 50–60 Hz	
Regulated output	12–230 VAC	
Maximum load	150 W	
Ambient conditions	Temperature	0–35 °C
	Relative humidity	< 100 % rH (non-condensing)
Enclosure	ASA, RAL 9010	
Protection standard	IP44 / IP54 (according to EN 60529)	

Standards

- EMC directive 2014/30/EU:
- Low Voltage Directive 2014/35/EU
- RoHS Directive 2011/65/EU



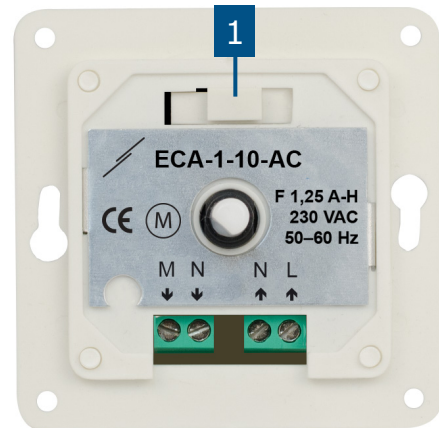
Knob positions

Knob position	0	4	3	2	1	0
	Regulated output [VAC]					
Motor voltage*	0	230	108	60	12	0

* These are average output voltage values. Regulated output voltage depends on fan/motor characteristics of connected load ($\cos \varphi$).



Settings



1 - Fuse holder

with a spare fuse

Wiring and connections

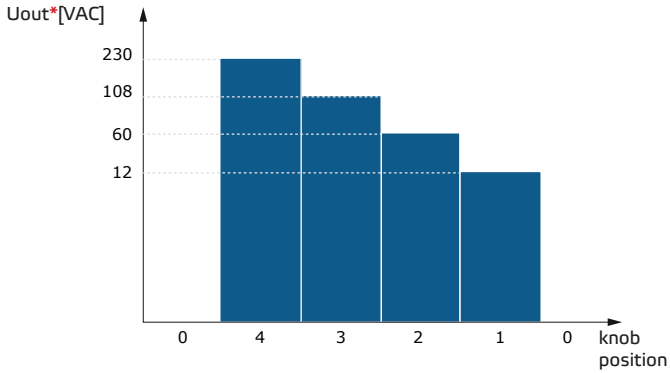
M	Regulated output to motor, line
N	Regulated output to motor, neutral
N	Supply voltage, neutral
L	Supply voltage, line
Connections	Cable cross section: max. 2,5 mm ²

ECA-1-10-AC

Ceiling fan speed controller

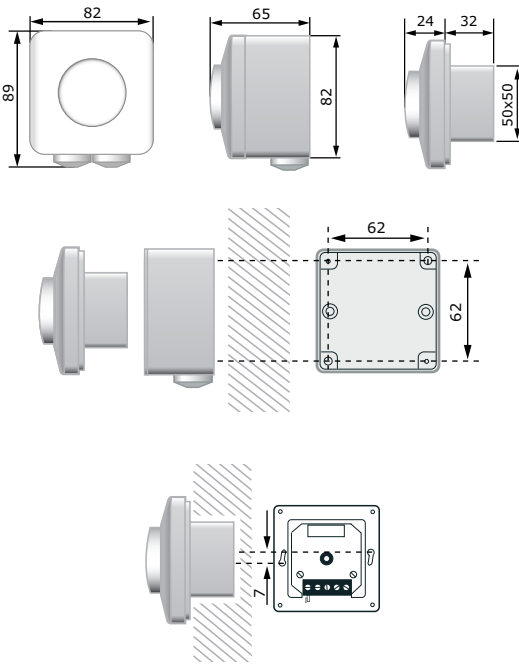


Operational diagram

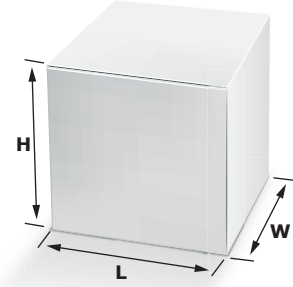


* These are average output voltage values. Regulated output voltage depends on fan/motor characteristics of connected load (cos φ).

Fixing and dimensions



Packaging



Article	Packaging	Length [mm]	Width [mm]	Height [mm]	Net weight	Gross weight
ECA-1-10-AC	Unit (1 pc.)	85	96	71	0,15 kg	0,18 kg
	Carton (10 pcs.)	485	182	84	1,55 kg	1,97 kg
	Box (60 pcs.)	580	380	280	9,30 kg	12,83 kg

Global trade item numbers (GTIN)

Packaging	Unit	Carton	Box
ECA-1-10-AC	05401003002179	05401003300657	05401003500958