



DTS-M

Digital temperature sensor for ducts

The DTS-M series are digital temperature sensors powered over Modbus with 24 VDC via an RJ45 connector. They are intended for duct channels and are compatible with various control systems based on temperature. The sensor element is placed in a stainless steel tube, which simplifies the cleaning of the duct system. There are two product versions featuring different tube length - 85 and 165 mm.

Key features

- Wide temperature range: -30—70 °C
- Modbus RTU communication
- Easy wiring via an RJ45 socket
- Low-maintenance and easy-to-clean design

Technical specifications

Supply voltage	24 VDC, Power over Modbus	
Power consumption	Maximum: 0,192 W	
	Nominal: 0,18 W	
	Imax: 8 mA	
Sensor range	-30—70 °C	
Accuracy	±1 °C	
Protection standard	IP65	
Ambient conditions	Temperature	-30—70 °C
	Rel. humidity	5—95 % rH (non-condensing)



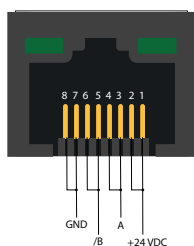
Article codes

Article code	Supply	Probe length
DTS-M-080	24 VDC, PoM	85 mm
DTS-M-160		165 mm

Wiring and connections

RJ45 socket	
Pin 1	Supply voltage
Pin 2	Supply voltage
Pin 3	Modbus RTU communication, signal A
Pin 4	Modbus RTU communication, signal A
Pin 5	Modbus RTU communication, signal /B
Pin 6	Modbus RTU communication, signal /B
Pin 7	Ground, supply voltage
Pin 8	Ground, supply voltage

RJ45 socket



Area of use

- Measuring temperature in duct channels

Indications


	1 - Green LED on the left	On	During normal operation, the left LED lights up to indicate that the unit is supplied with 24 VDC
	2 - Green LED on the right	On	Indicates active Modbus communication
	RJ45 socket		To plug in the communication and power cable

DTS-M

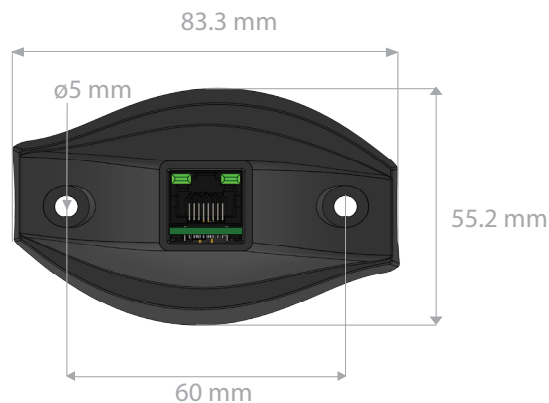
Digital temperature sensor for ducts



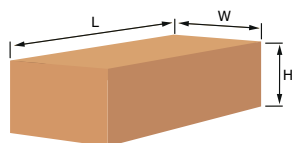
Standards

- Low Voltage Directive 2014/35/EC 
 - EN 60529:1991 Degrees of protection provided by enclosures (IP Code) Amendment AC:1993 to EN 60529
 - EN 60730-1:2011 Automatic electrical controls for household and similar use - Part 1: General requirements
- EMC Directive 2014/30/EC
 - EN 61326-1:2013 Electrical equipment for measurement, control and laboratory use - EMC requirements - Part 1: General requirements
 - EN 61326-2-3:2013 Electrical equipment for measurement, control and laboratory use - EMC requirements - Part 2-3: Particular requirements - Test configuration, operational conditions and performance criteria for transducers with integrated or remote signal conditioning
 - EN 61326-2-5:2013 Electrical equipment for measurement, control and laboratory use - EMC requirements - Part 2-5: Particular requirements - Test configurations, operational conditions and performance criteria for devices with field bus interfaces according to IEC 61784-1
- WEEE Directive 2012/19/EU
- RoHS Directive 2011/65/EU

Fixing and dimensions



Packaging

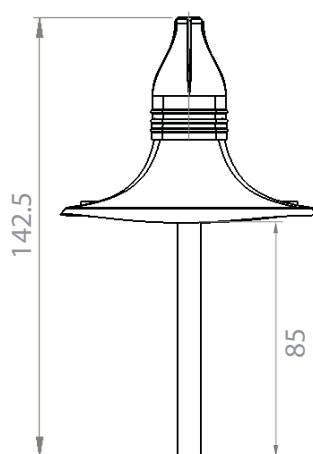


Article	Packaging	Length [mm]	Width [mm]	Height [mm]	Net weight	Gross weight
DTS-M-080 DTS-L-080	Unit (1 pc.)	82	55	175	0.058 kg	0.062 kg
	Carton (10 pcs.)	492	182	84	0.58 kg	0.77 kg
	Box (60 pcs.)	590	380	280	3.48 kg	5.54 kg
DTS-M-160 DTS-L-160	Unit (1 pc.)	82	55	225	0.070 kg	0.076 kg
	Carton (10 pcs.)	492	182	84	0.705 kg	0.915 kg
	Box (40 pcs.)	590	380	280	4.23 kg	6.41 kg

Global trade item numbers (GTIN)

Article	Unit	Carton	Box
DTS-M-080	5401003701034	05401003002100	5401003500880
DTS-L-080	5401003002087	5401003701010	5401003500866
DTS-M-160	5401003002117	5401003701041	5401003500897
DTS-L-160	5401003002094	5401003701027	5401003500873

DTS-M-080



DTS-M-160

