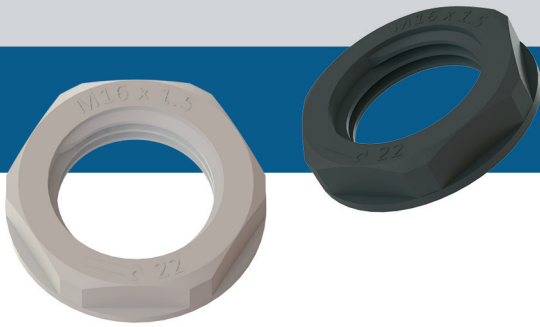


# CN-XX

## Plastic cable gland nut



CN-XX are metric thread hexagonal locknuts intended for secure tightening of Sentera's appropriately sized CG series of cable glands. They ensure the sealing and termination and serve as a strain relief element for the cable.

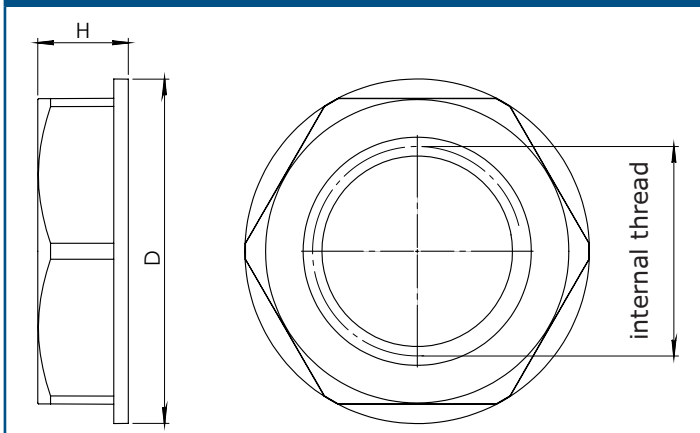
### Key features

- Metric connection thread according to EN 50262
- Resistant to common fluids and solvents
- Lightweight
- Easy-to-install
- Anti-vibration protection

### Technical specifications

Material	Polyamide 6.0, unreinforced
Flammability rating	V.0
Temperature range	-30—80 °C

### Dimensions



Article codes	D [mm]	H [mm]	Internal thread
CN-LG-M12 CN-BK-M12	19	5	M12x1.5
CN-LG-M16 CN-BK-M16	24	5	M16x1.5
CN-LG-M20 CN-BK-M20	28.6	6	M20x1.5

**Note:** The CG-M12/M16/M20 cable glands must be ordered separately.

### Area of use

- For secure tightening of cable glands and accessories

### Standards

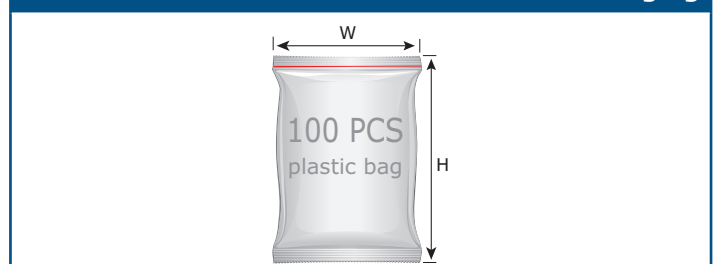
- RoHS Directive 2017/2102/EU



### Article codes

Code	Internal thread	Wrench size [mm]	Colour
CN-LG-M12	M12x1.5	17	grey (RAL 7035)
CN-LG-M16	M16x1.5	22	
CN-LG-M20	M20x1.5	26	
CN-BK-M12	M12x1.5	17	black (RAL 9005)
CN-BK-M16	M16x1.5	22	
CN-BK-M20	M20x1.5	26	

### Packaging



Article code	Packaging	Length [mm]	Width [mm]	Height [mm]	Net weight	Gross weight
CN-LG-M12 CN-BK-M12	Pack (100 pcs.)	-	10	12	0,08 kg	0,10 kg
CN-LG-M16 CN-BK-M16	Pack (100 pcs.)	-	15	18	0,13 kg	0,15 kg
CN-LG-M20 CN-BK-M20	Pack (100 pcs.)	-	15	18	0,185 kg	0,19 kg