

DR

ELECTRONIC FAN
SPEED CONTROLLER,
DIN RAIL MOUNTING

Mounting and operating instructions

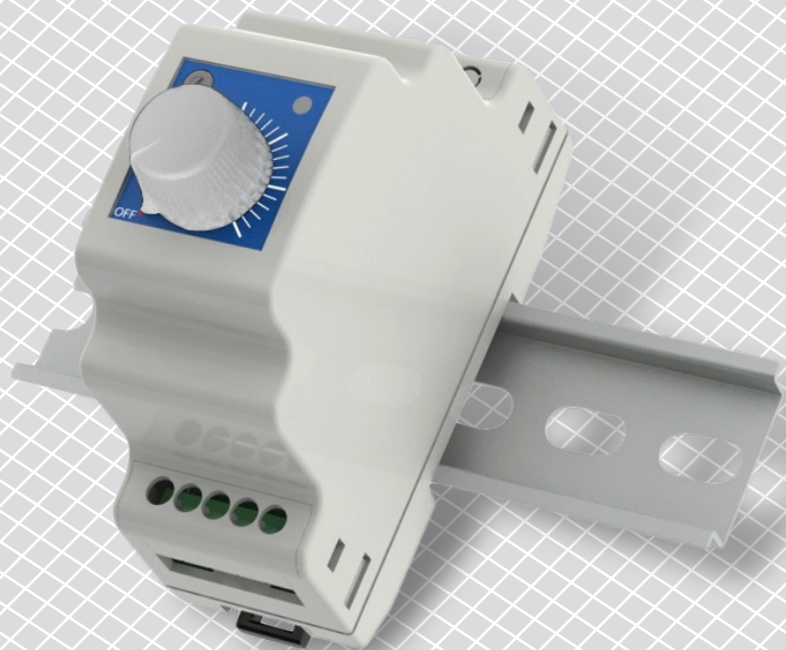


Table of contents

SAFETY AND PRECAUTIONS	3
PRODUCT DESCRIPTION	4
ARTICLE CODES	4
INTENDED AREA OF USE	4
TECHNICAL DATA	4
STANDARDS	4
OPERATIONAL DIAGRAM	5
WIRING AND CONNECTIONS	5
MOUNTING & OPERATING INSTRUCTIONS IN STEPS	5
VERIFICATION OF THE INSTALLATION INSTRUCTIONS	6
TRANSPORT AND STOCK KEEPING INFORMATION	7
WARRANTY INFORMATION AND RESTRICTIONS	7
MAINTENANCE	7

SAFETY AND PRECAUTIONS



Read all information, the datasheet, mounting instructions and wiring scheme before working with the product. For personal and equipment safety, and for optimum product performance, make sure you entirely understand the contents before installing, using, or maintaining this product.



For safety and licensing (CE) reasons, unauthorised conversion and / or modifications to the product are not permitted.



The product must not be exposed to abnormal conditions, such as: extreme temperatures, direct sunlight or vibrations. Chemical vapours with high concentration in combination with long exposure times can affect the product performance. Make sure the work environment is as dry as possible; check for condensation spots.



All installations shall comply with the local health and safety regulations and local electrical codes. This product can only be installed by an engineer or a technician who has an expert knowledge of the product and safety precautions.



Avoid contacts with energised electrical parts; always treat the product as if it is life. Always disconnect the power source before connecting the power cables, servicing or repairing the product.



Always verify that you apply appropriate power supply to the product and use wires with appropriate size and characteristics. Make sure that all the screws and nuts are well tightened and fuses (if any) are fitted well.



Recycling of equipment and packaging should be taken into consideration and disposed in accordance with local and national legislation / regulations.



In case there are any questions that are not answered, please contact your technical support or consult a professional.

PRODUCT DESCRIPTION

The DRX/DRY controller controls manually the speed of single phase (230 VAC / 50 - 60 Hz) voltage controllable motors / fans from high to low (DRX) or from low to high output (DRY). It is suitable for DIN rail mounting (DIN EN 50022). Multiple fans can be connected as long as the current limit is not exceeded.

ARTICLE CODES

Code	Regulation	Max. rated current	Max. load L1	Fuse 5*20mm
DRY-1-15-AT	min. to max.	1,5 A	0,5 A	3,15 A
DRX-1-15-AT	max. to min.	1,5 A	0,5 A	3,15 A
DRY-1-25-AT	min. to max.	2,5 A	0,5 A	5,0 A
DRX-1-25-AT	max. to min.	2,5 A	0,5 A	5,0 A

INTENDED AREA OF USE

- Speed control of motors / fans in ventilation systems
- For indoor use only

TECHNICAL DATA

- Supply: 230 VAC ±10 % / 50 - 60 Hz
- Unregulated output load (L1): 230 VAC / max. 0,5 A
- Regulated output to motor / fan, U:
 - ▶ max. load: 1,5 for DRX / DRY-1-15-AT
 - ▶ max. load: 2,5 for DRX/DRY-1-25-AT
- Speed control:
 - ▶ DRX – from maximum to minimum
 - ▶ DRY – from minimum to maximum
- Minimum speed adjustment by trimmer: 60–230 VAC
- Green operating LED indication: on / off
- Enclosure:
 - ▶ DIN rail mounting (DIN EN 50022)
 - ▶ ABS/PC, grey (RAL 7035)
- Protection standard: IP30 (according to EN 60529)
- Operating ambient conditions:
 - ▶ temperature: 0–40 °C
 - ▶ rel. humidity: < 80 % rH (non-condensing)
- Storage temperature: -14–50 °C

STANDARDS

- Low Voltage Directive 2006/95/EC
- EMC Directive 2004/108/EC: EN 61326
- WEEE Directive 2012/19/EU
- DIN rail EN 60715:2001
- RoHs Directive 2011/65/EU



OPERATIONAL DIAGRAM



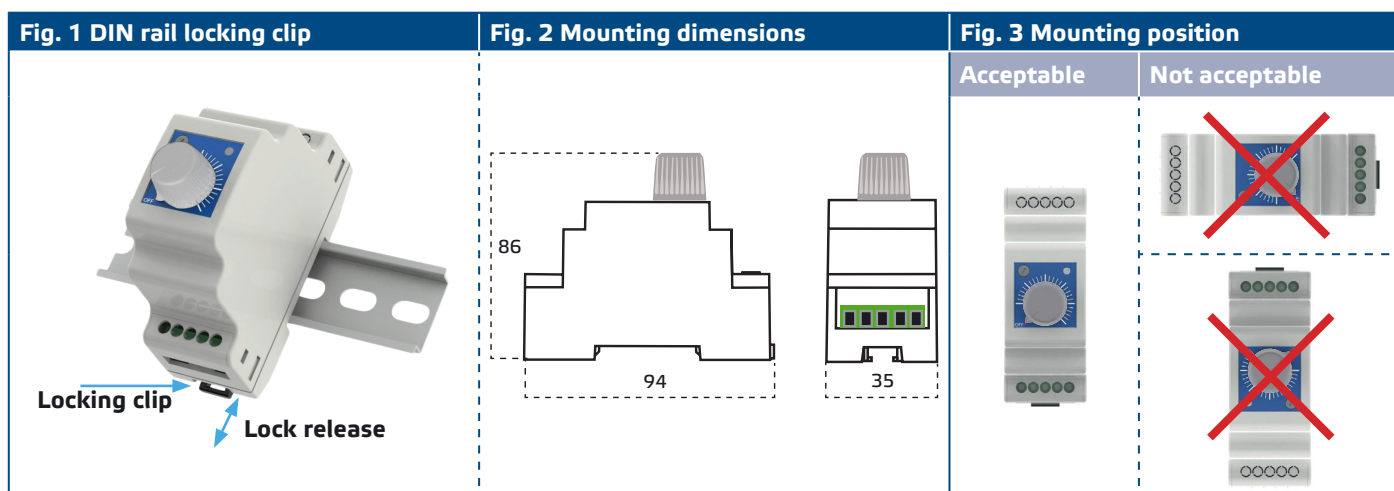
WIRING AND CONNECTIONS

L, N	Supply voltage, 230 VAC ± 10 % / 50 - 60 Hz
U, N	Regulated output
L1, N	Unregulated output 230 VAC / 0,5 A
Connections	Cable cross section: max. 2,5 mm ²

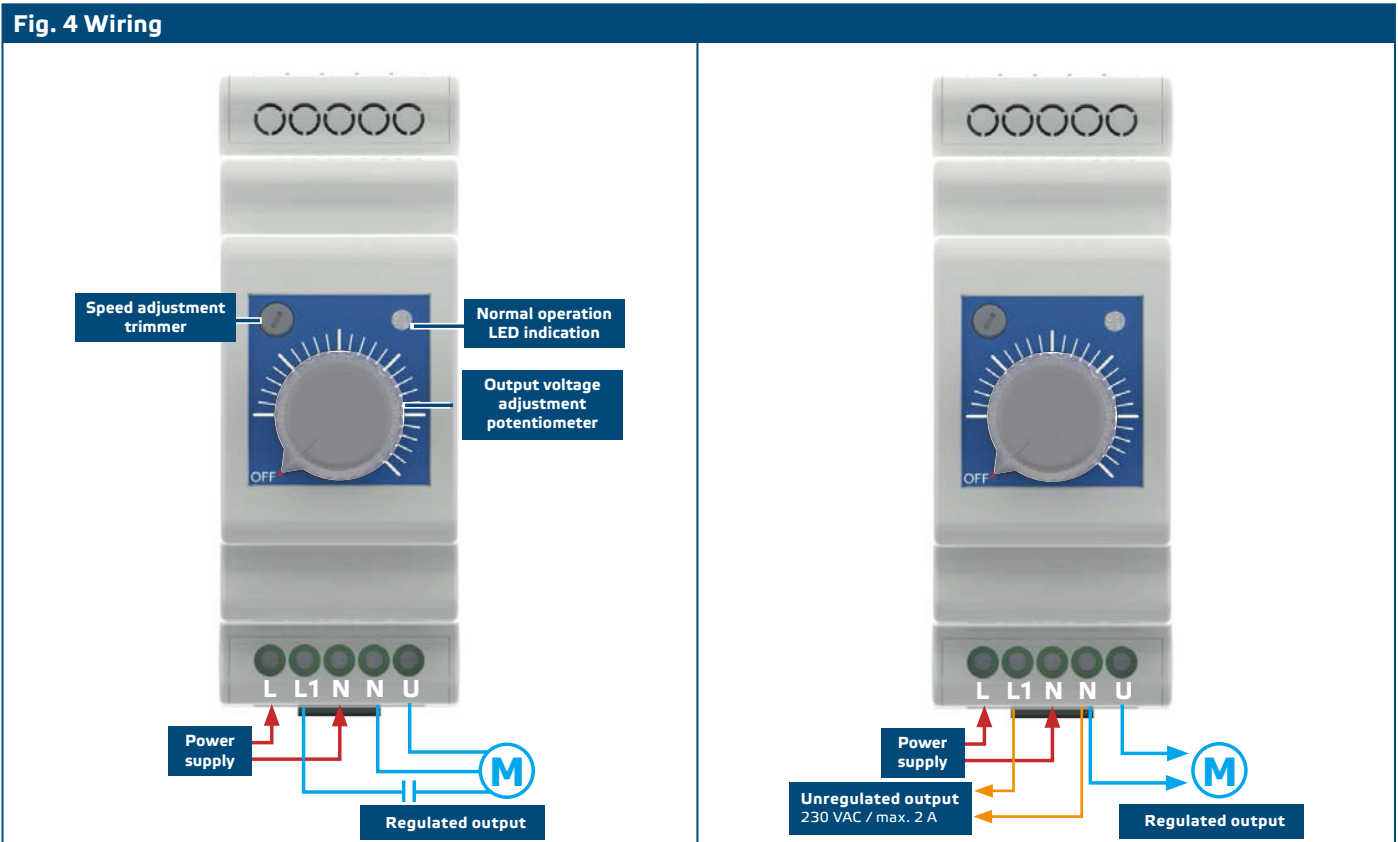
MOUNTING & OPERATING INSTRUCTIONS IN STEPS

Before you start mounting the DR speed controller, read carefully “**Safety and Precautions**”. Then proceed with the following mounting steps:

1. Switch off the power supply.
2. Mount the controller on a standard 35 mm DIN rail. Pull the locking clip before you place the unit onto the rail, and then release the locking clip back to its original position to fix the enclosure to the rail. See **Fig. 1 DIN rail locking clip**, **Fig. 2 Mounting dimensions** and **Fig. 3 Mounting position**.



- Do the wiring according to the wiring diagram (see **Fig. 4**) using the legend information from section **“Wiring and connections”**.



- Switch on the power supply.
- Set the required output voltage with the help of the potentiometer on the front cover. Adjust the minimum speed with the trimmer (if necessary). The factory preset is 100 VAC. See **Fig 1**.

VERIFICATION OF THE INSTALLATION INSTRUCTIONS

When you switch on the power supply the LED for operating indication shown in **Fig. 4** should give out constant green light. If this is not the case, check the connections.

TRANSPORT AND STOCK KEEPING INFORMATION

Avoid shocks and extreme conditions; stock in original packing.

WARRANTY INFORMATION AND RESTRICTIONS

Two years from the delivery date against defects in manufacturing. Any modifications or alterations to the product after the date of publication relieve the manufacturer of any responsibilities. The manufacturer bears no responsibility for any misprints or mistakes in this data.

MAINTENANCE

In normal conditions this product is maintenance-free. If soiled, clean with a dry or dampish cloth. In case of heavy pollution, clean with a non-aggressive product. In these circumstances the unit should be disconnected from the supply. Pay attention that no fluids enter the unit. Only reconnect it to the supply when it is completely dry.