



SPV-8-010-CP

230 VAC potentiometer with Modbus RTU and dry contact

The SPV-8-010-CP potentiometer is intended for stepless control of EC motors requiring a 0–10 VDC, 0–20 mA or 0–100 % PWM control signal. The minimum output values can be adjusted via Modbus within the ranges: 0–4 VDC / 0–8 mA / 0–40 % PWM and the maximum output values – within 6–10 VDC / 12–20 mA / 60–100 % PWM. In OFF position, the output is 0 VDC. It features dry contact for remote on / off switching of external equipment.

Key features

- Modbus RTU communication
- Dry contact output
- Selectable output type: 0–10 VDC / 0–20 mA / 0–100 % PWM
- Infinitely variable control of the output voltage
- Control from low to high or from high to low speed, selectable via Modbus RTU
- OFF position
- Bootloader for updating the firmware via Modbus RTU
- Adjustable minimum (Vmin) and maximum (Vmax) output value via Modbus RTU
- Flush or surface mounting
- Terminal block with push-in cage clamp connection

Technical specifications

Supply voltage	85–264 VAC / 50–60 Hz	
Selectable analogue / modulating output	0–10 VDC mode	min. load 50 kΩ (R _L ≥ 50 kΩ)
	0–20 mA mode	max. load 500 Ω (R _L ≤ 500 Ω)
	PWM mode	PWM frequency: 1 kHz, min. load 50 kΩ (R _L ≥ 50 kΩ)
Vmin	0–4 VDC / 0–8 mA / 0–40 % PWM	
Vmax	6–10 VDC / 12–20 mA / 60–100 % PWM	
Dry contact max. switching current	4 A	
Protection standard	Flush mounting	IP44 (according to EN 60529)
	Surface mounting	IP54 (according to EN 60529)
Ambient conditions	Temperature	0–40 °C
	Rel. humidity	5–95 % rH (non-condensing)

Standards

- Low Voltage Directive 2014/35/EU
- EN 60529:1991 Degrees of protection provided by enclosures (IP Code) Amendment AC:1993 to EN 60529
- EN 60730-1:2011 Automatic electrical controls for household and similar use - Part 1: General requirements
- EMC directive 2014/30/EU:
- EN 60730-1:2011 Automatic electrical controls for household and similar use - Part 1: General requirements
- EN 61000-6-1:2007 Electromagnetic compatibility (EMC) - Part 6-1: Generic standards - Immunity for residential, commercial and light industrial environments
- EN 61000-6-3:2007 Electromagnetic compatibility (EMC) - Part 6-3: Generic standards - Emission standard for residential, commercial and light-industrial environments. Amendments A1:2011 and AC:2012 to EN 61000-6-3
- WEEE Directive 2012/19/EU
- RoHs Directive 2011/65/EU

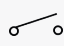


Area of use

- Speed control of EC fans in ventilation systems
- Control signal for AC fan speed controllers



Wiring and connections

L	Power supply, line (85–264 VAC / 50–60 Hz)
N	Power supply, neutral (85–264 VAC / 50–60 Hz)
	Dry contact output that can be used to enable / disable the motor
AO1	Analogue / modulating output (0–10 VDC / 0–20 mA / PWM)
GND	Ground AO1
A	Modbus RTU (RS485), signal A
/B	Modbus RTU (RS485), signal /B
Connections	Cable cross section: 1,5 mm ² ; pitch 3,5 mm

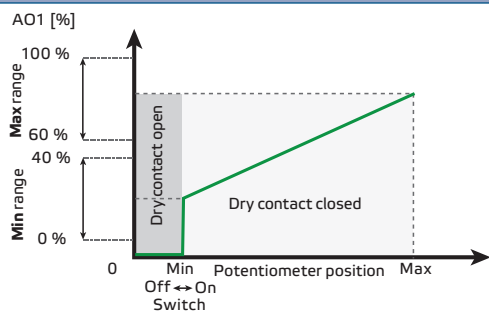


SPV-8-010-CP

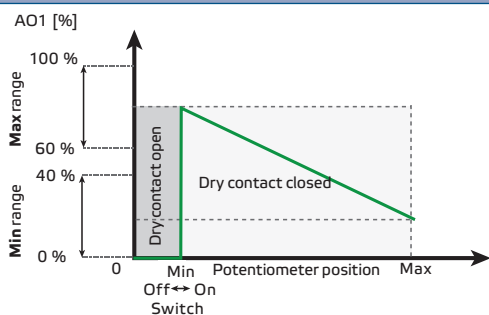
230 VAC potentiometer with Modbus RTU and dry contact

Operational diagrams

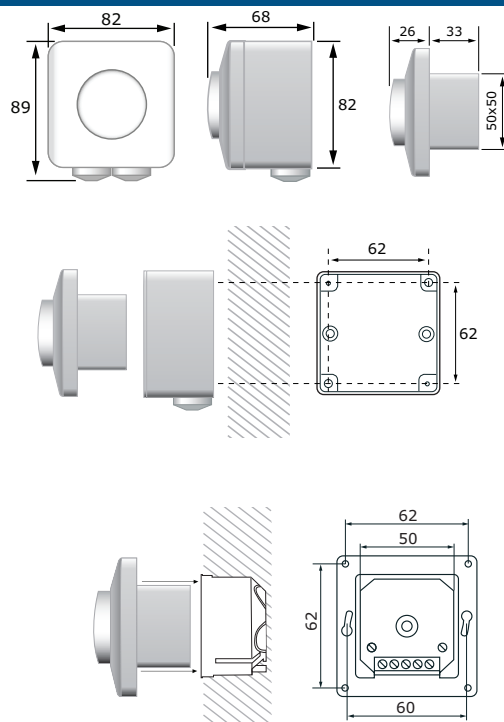
From low to high speed



From high to low speed



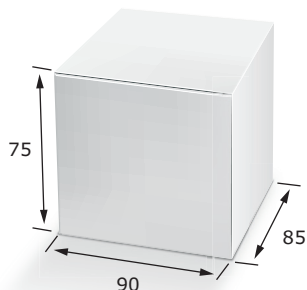
Fixing and dimensions



Global trade item numbers (GTIN)

Packaging	SPV-8-010-CP
Unit	05401003017555
Carton	05401003302262
Box	05401003503362

Packaging



Article	Packaging	Length [mm]	Width [mm]	Height [mm]	Net weight	Gross weight
SPV-8-010-CP	Unit (1 pc.)	95	85	70	0,16 kg	0,18 kg
	Carton (10 pcs.)	492	182	84	1,6 kg	2 kg
	Box (60 pcs.)	590	380	280	9,6 kg	12 kg