

SPR-M-3-BK

RJ45 splitter



SPR-M-3-BK is an ISDN splitter with three standard 8-pin connectors intended for converting a single RJ45 outlet into two RJ45 sockets. On a Modbus RTU network it can be used to create a branch of the main network line. The total length of all branch lines should not exceed 20 m.

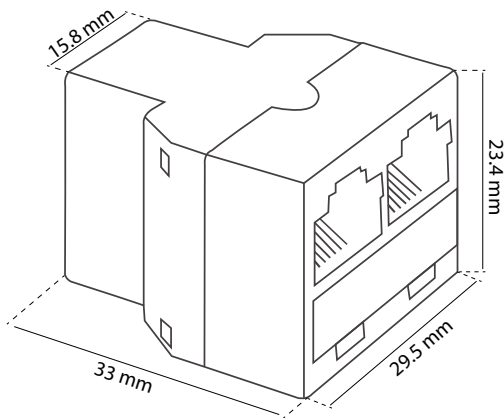
Key features

- 8 wires RJ45 Y-distributor adapter, parallel wiring
- Standard straight connection
- Pinout RJ45: 1-1-1/ 2-2-2 / 3-3-3 / 4-4-4 / 5-5-5 / 6-6-6 / 7-7-7 / 8-8-8
- Safety locking click
- Compatible with Cat5 and Cat5e Ethernet cables
- Compact design

Technical specifications

Input	1 RJ45 female connector, 8-pin
Output	2 RJ45 female connectors, 8-pin
Enclosure	PVC, black (RAL 9005)

Dimensions



Wiring diagram

RJ45 cable (Power over Modbus)

Pin 1	24 VDC	Supply voltage
Pin 2		
Pin 3	A	Modbus RTU communication, signal A
Pin 4		
Pin 5	/B	Modbus RTU communication, signal /B
Pin 6		
Pin 7	GND	Ground, supply voltage
Pin 8		



Area of use

- To create connection points for branch lines on the Modbus RTU main line
- Very suitable for quickly building a plug and play Power over Modbus RTU network using standard computer network cables and tools

Article codes

Code	Connection type
SPR-M-3-BK	3-way, female RJ45 socket

Standards

- RoHS Directive 2017/2102/EU



Packaging



Article code	Packaging	Length [mm]	Width [mm]	Height [mm]	Net weight	Gross weight
SPR-M-3-BK	Pack (5 pcs.)	-	15	18	0,38 kg	0,4 kg
	Box (100 pcs.)	430	300	190	3,8 kg	5,5 kg

SPR-M-3-BK

RJ45 splitter



Connection

