

# ATR-4

## 400 VAC autotransformer with terminal block



The ATR-4 series of autotransformers are compact transformers designed for switchboard mounting or applications requiring output voltages lower than the input voltage. They reduce the primary voltage in steps.

### Key features

- Wide power range: 1,5–18 A
- Seven output voltages available at the secondary side
- Resin encapsulated
- Primary / input voltage: 3x 400 VAC / 50–60 Hz
- Construction class: II
- Insulation class: Nema 155 / F
- Screw terminal block for easy connection
- Simple switchboard mounting thanks to robust mounting brackets
- Good corrosion protection and low noise

### Technical specifications

Input voltage	400 VAC ±10 %	
Frequency	50–60 Hz	
Dielectric sensitivity	2.500 VAC	
Insulation class	Nema F (155 °C)	
Protection standard	IP20 (according to EN 60529)	
Ambient conditions	Temperature	max. 35 °C
	Rel. humidity	< 90 % rH (non-condensing)

### Area of use

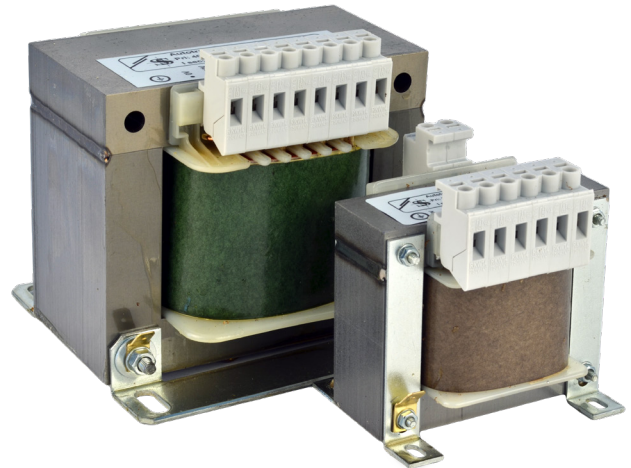
- Switchboard mounting or applications where the output voltages need to be lower than the input voltage
- Autotransformers are used in transformer fan speed controllers to control the speed of voltage controllable motors (pumps and fans) in HVAC systems
- For indoor use only

### Article codes

Article code	Rated max. current [A]
ATR-4-15L50	1,5 A
ATR-4-25L50	2,5 A
ATR-4-40L50	4 A
ATR-4-60L50	6 A
ATR-4-80L50	8 A
ATR-4110L50	11 A
ATR-4140L50	14 A
ATR-4180L50	18 A

### Secondary / output voltages [VAC]

VAC	0	130	170	220	260	300	400
-----	---	-----	-----	-----	-----	-----	-----



### Standards

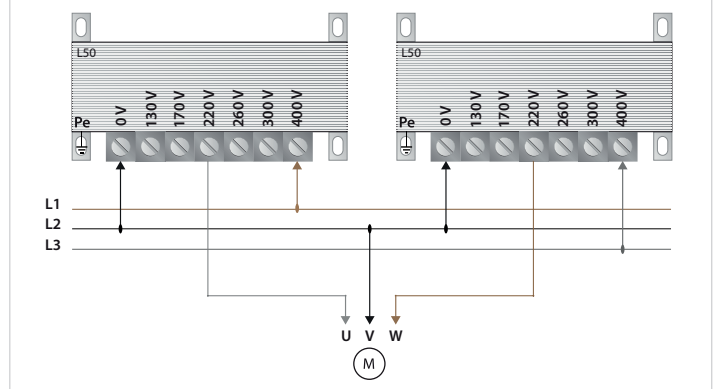
- Low Voltage Directive 2014/35/EC
- EMC Directive 2014/30/EC
- WEEE Directive 2012/19/EU
- RoHs Directive 2011/65/EU



### Wiring and connections

Pe	Earth terminal
L1	Power supply 3x 400 VAC / 50–60 Hz
L2	
L3	
U	
V	Regulated output to motor
W	

### Wiring diagram

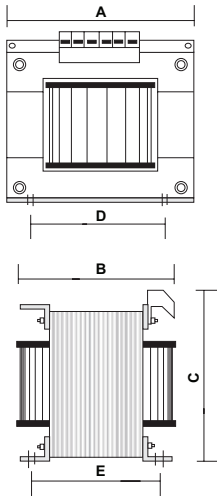


# ATR-4

400 VAC autotransformer with terminal block



## Fixing and dimensions



Article code	A [mm]	B [mm]	C [mm]	D [mm]	E [mm]	Net weight [kg]
ATR-4-15L50	108	90	112	90	66	3
ATR-4-25L50	108	100	112	90	75	3,6
ATR-4-40L50	120	120	122	100	92	6,7
ATR-4-60L50	135	128	135	112,5	97	7,4
ATR-4-80L50	150	140	144	125	105	9,8
ATR-4110L50	150	163	144	125	131	14
ATR-4140L50	174	157	160	145	125	16
ATR-4180L50	174	177	160	145	145	19,4