

CG-XX

Plastic cable gland



CG-XX are general-purpose cable glands providing through-wall seal for cables and IP67 waterproof cable routing and anchoring. They are available in 2 colours and 3 different sizes suiting cables with different diameters.

Key features

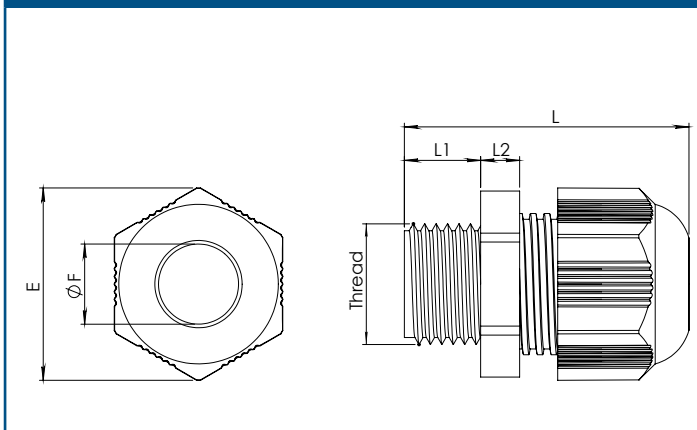
- Metric connection thread according to EN 50262
- Reducing seal insert to seal cables with smaller outer diameters
- Resistant to common fluids and solvents
- Easy-to-install
- Wide sealing and clamping range
- Anti-vibration protection

Technical specifications

Material	Gland	Polyamide 6.0, unreinforced
	Seal insert	TPV
Flammability rating	V.0	
Protection standard	IP67 (according to EN 60529)	
Temperature range	-30—80 °C	



Dimensions



Article codes	L [mm]	L1 [mm]	L2 [mm]	E [mm]	F [mm]
CG-LG-M12 CG-BK-M12	30	8	5	18,2	6
CG-LG-M16 CG-BK-M16	37	10	5	25	10
CG-LG-M20 CG-BK-M20	39	10	6	30,8	13

Note: The CN-XX-M12/M16/M20 cable gland nuts must be ordered separately.

Area of use

- For use in areas where cables and wires need to be safely inserted through the walls of enclosures

Standards

- RoHS Directive 2017/2102/EU



Article codes

Code	Thread	Clamping range [mm]	Wrench 1 size [mm]	Wrench 2 size [mm]	Colour
CG-LG-M12	M12x1.5	3—6	15	16	grey (RAL 7035)
CG-LG-M16	M16x1.5	5—10	22	22	
CG-LG-M20	M20x1.5	8—13	27	27	
CG-BK-M12	M12x1.5	3—6	15	16	black (RAL 9005)
CG-BK-M16	M16x1.5	5—10	22	22	
CG-BK-M20	M20x1.5	8—13	27	27	

Packaging



Article code	Packaging	Length [mm]	Width [mm]	Height [mm]	Net weight	Gross weight
CG-LG-M12 CG-BK-M12	Pack (100 pcs.)	-	170	230	0,38 kg	0,4 kg
	Box (1000 pcs.)	430	300	190	3,8 kg	5,5 kg
CG-LG-M16 CG-BK-M16	Pack (100 pcs.)	-	230	310	0,85 kg	0,9 kg
	Box (1000 pcs.)	580	380	280	8,5 kg	9,5 kg
CG-LG-M20 CG-BK-M20	Pack (100 pcs.)	-	260	350	1,24 kg	1,25 kg
	Box (1000 pcs.)	580	380	280	12,4 kg	13,2 kg