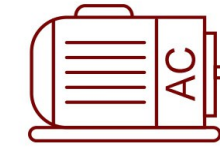




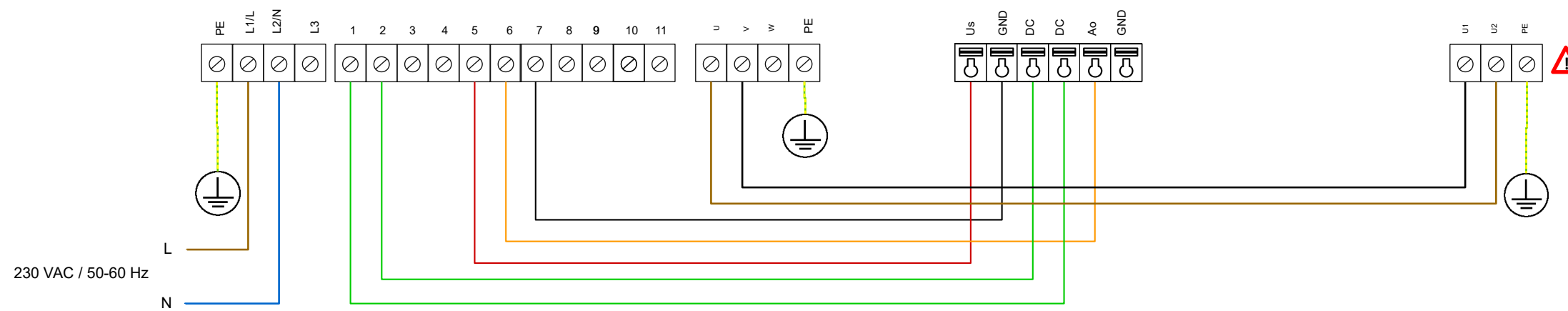
FI-E11070E2



SDP-X10K-NA



Induction Motor



Consult the fan manufacturer for the correct wiring.

Sentera products		External products	Parameters settings			
Article codes	Description	Induction Motor	Article codes	Parameters	Values	Descriptions
<b>FI-E11070E2</b> <b>SDP-X10K-NA</b>	Variable speed control for 1-phase 230 Volt motors. The maximum motor current is 7 A. The fan speed can be manually set via the remote potentiometer. This potentiometer has a dry contact output to remotely start or stop the motor. The frequency inverter disables the motor in case motor overheating is detected via the motor ptc or thermal contacts. The supply voltage is 1-phase 230 Volt..					